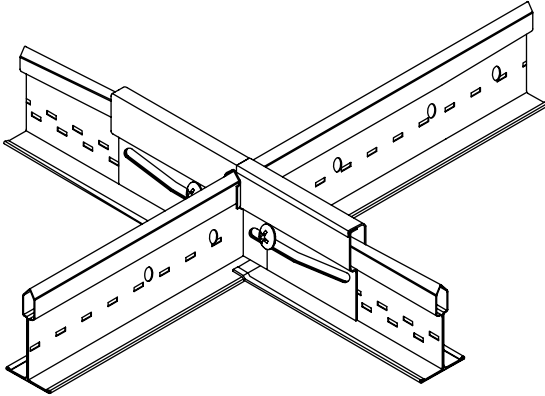


# SEISMIC JOINT CLIP

## Cross Tee



### KEY SELECTION ATTRIBUTES

The Armstrong Seismic Joint Clip works with Armstrong 15/16" and 9/16" suspension systems, including Interlude®, Prelude®, Suprafine®, and Silhouette®.

- Armstrong conducted full-scale testing at the State University of New York, University at Buffalo which provides evidence of performance in IBC Category D, E, and F installations
- SJCSI is engineered with a square bulb notch that properly positions the clip to work with Silhouette and Interlude
- Seismic Joint Clip gives architects and designers a clean look and saves contractors time with a reliable installation method

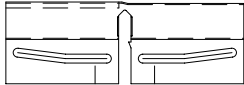
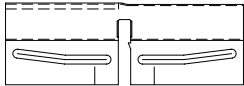
- Installs in minutes – no need to cut the face of the suspension system to install the clip
- Eliminates the need for additional hanger wires
- Lower material costs than many other common systems
- Maintains integrity of ceiling module
- Not visible from below
- Easier to keep the suspension system square
- Allows the use of full-size panels

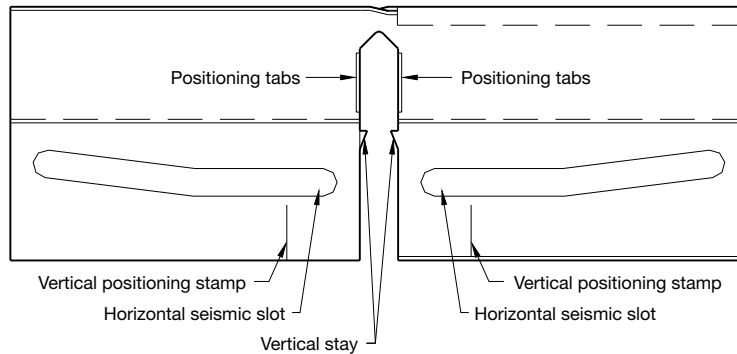
### MATERIALS

**General:** Commercial-quality cold rolled hot dipped galvanized steel, chemically cleansed.

**Components:** Seismic Joint Clip, stamped, unfinished, two-piece unit with slots. NOTE: Not suitable for use with Vector® panels.

### VISUAL SELECTION

Item Number	Description	Dimensions	Color/Finish	
<input type="checkbox"/> SJCG	Seismic Joint Clip 2 pcs required/joint	5" x 1-1/2" nominal	Unpainted	
<input type="checkbox"/> SJCSI	Seismic Joint Clip for Silhouette and Interlude 2 pcs required/joint	5" x 1-1/2" nominal	Unpainted	



Feature	Benefit
<b>Horizontal Seismic Slot</b>	Allows the cross tee to move along its axis. Properly repositions within the main beam.
<b>Vertical Stay</b>	Limits upward movement or dislodgement of the clip
<b>Positioning Tabs</b>	Maintains clip position square to the axis of the main beam
<b>PeakForm® Route Shape</b>	Accommodates the shape of Armstrong suspension systems
<b>Vertical Positioning Stamp</b>	Facilitates the proper location of the fastener within the Horizontal Seismic Slot

# SEISMIC JOINT CLIP

## Cross Tee

### HOW TO INSTALL THE SEISMIC SEPARATION JOINT CLIP:

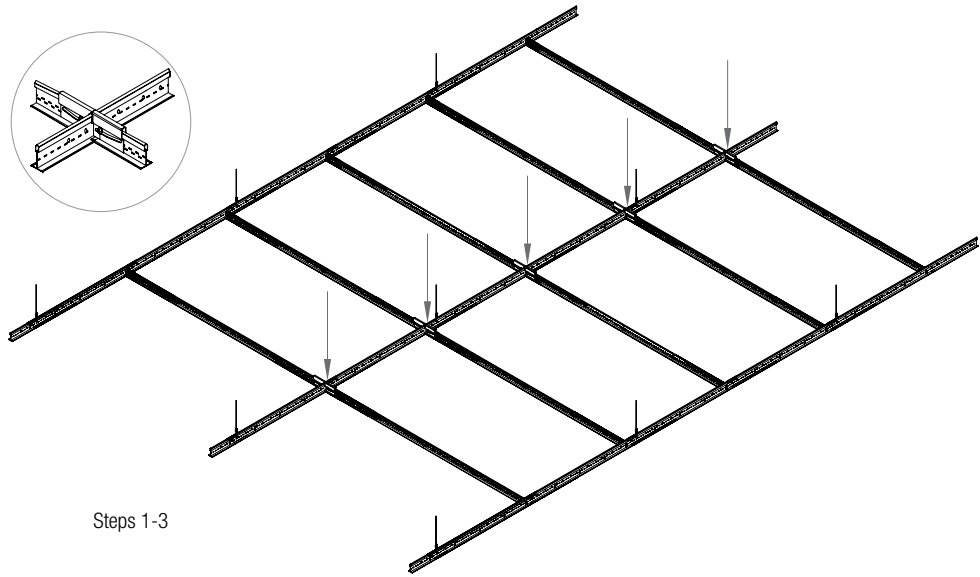
**Step One:** Install the suspension system completely, in a conventional manner.

**Step Two:** Decide upon which run(s) of main beams to create the seismic separation.

**NOTE:** The Seismic Joint Clip allows for cross tees to move along the axis of the cross tees.

**NOTE:** Divide 2500 SF by the length of the run of main beams in feet. The result will be the maximum spacing, in feet, for the separation joint. Round this result down to the nearest 4' increment when main beams are installed 4' on center.

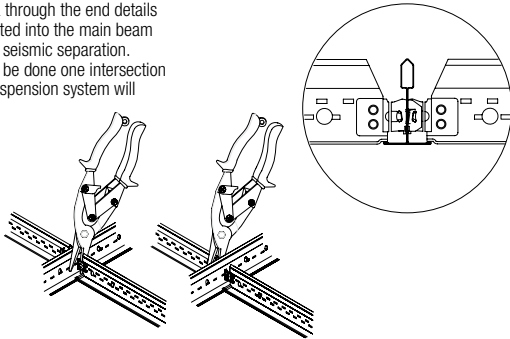
**Step Three:** Attach two adjacent sides of each section of the divided ceiling to the structure. Where these sections touch the wall, the attachment may be by riveting to the wall molding or by means of the BERC2 clip with a tight screw. Sections that do not touch walls on two adjacent sides must be braced to structure.



Steps 1-3

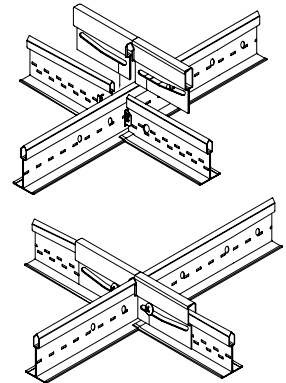
**Step Four:** Cut XL through the end details of cross tees inserted into the main beam designated for the seismic separation.

**NOTE:** This should be done one intersection at a time or the suspension system will fall apart.



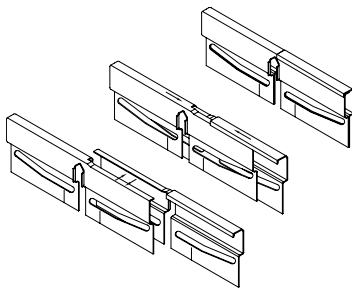
Step 4

**Step Six:** Snap completed assembly over the bulb of the main beam at the intersection of the cross tees.



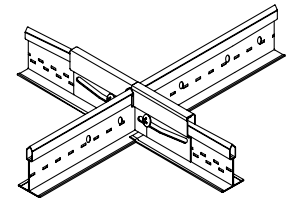
Step 6

**Step Five:** Assemble the two sides of the Seismic Joint Clip into one unit.



Step 5

**Step Seven:** Insert a 1/4" long #10 screw through the slot in the clip, into the upper XL clip stake hole. Use the vertical stamp mark below the horizontal slot to properly position the screw within the clip. Install one screw from each side of the assembled clip to hold the proper shape. Do not allow screw threads to strip out the stake hole.



Step 7

TechLine<sup>SM</sup> / 1 877 276 7876



armstrongceilings.com/seismic  
BPCS-3815-115

All trademarks used herein are the property of AWI Licensing Company and/or its affiliates  
© 2015 AWI Licensing Company • Printed in the United States of America

**Armstrong**<sup>®</sup>  
CEILING SOLUTIONS