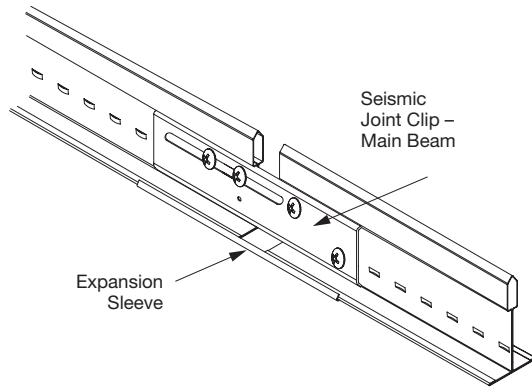


SEISMIC JOINT CLIP

Main Beam



KEY SELECTION ATTRIBUTES

The Armstrong Seismic Joint Clip – Main Beam (SJMR) works with Armstrong Prelude® 15/16" and Suprafine® 9/16" suspension systems.

- IBC mandates that ceiling areas greater than 2,500 SF must have seismic separation joints
- Armstrong conducted full-scale testing at the State University of New York, University at Buffalo, which provides evidence of performance in IBC Category D, E, and F installations
- SJMR15 and SJMR9 give architects and designers a clean look, and save contractors time with a reliable installation method

- Easily installs in minutes at the main beam splice
- Maintains integrity of the ceiling module, unlike field assembled alternatives
- Allows for a full acoustical panel at the joint
- Not visible from the floor
- Lower material costs than many other alternative methods
- Easier to keep the ceiling system square

MATERIALS

General: Commercial-quality cold rolled hot dipped galvanized steel, chemically cleansed.

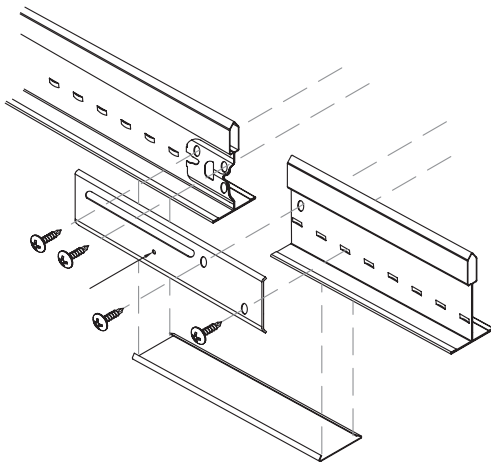
Components: a. Seismic Joint Clip, stamped, unfinished, single piece unit with slots and screw holes

b. Expansion Sleeve, stamped, exposed face prefinished in baked polyester paint

NOTE: Not suitable for use with Vector® panels.

VISUAL SELECTION

Item Number	Description	Dimensions	Color/Finish
<input type="checkbox"/> SJMR15	Seismic Joint Clip – Main Beam for 15/16" suspension system	4 x 1" nominal	Unpainted
<input type="checkbox"/> ES4	4" Expansion Sleeve for Prelude 15/16" Main Beam	4 x 15/16" nominal	White
<input type="checkbox"/> SJMR9	Seismic Joint Clip – Main Beam for 9/16" suspension system	4 x 1" nominal	Unpainted
<input type="checkbox"/> ES49	4" Expansion Sleeve for Suprafine 9/16" Main Beam	4 x 9/16" nominal	White



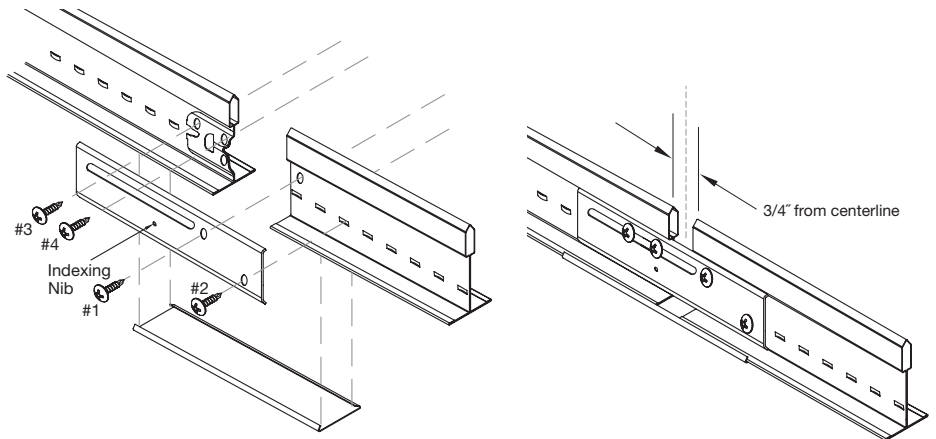
SEISMIC JOINT CLIP

Main Beam

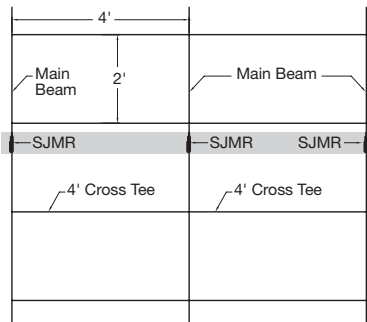
IT'S SIMPLE TO INSTALL WITH THESE EASY STEPS:

How to install the Seismic Joint Clip – Main Beam

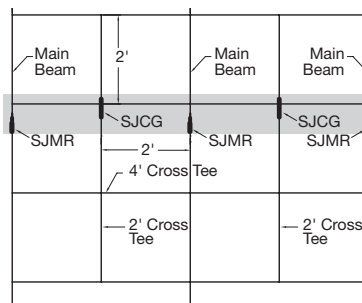
- Step 1:** Determine which splices will receive the separation joint by dividing the total area into sections not greater than 2,500 SF. Attach a hanger wire within 3" of the splice that will receive the clip.
- Step 2:** Install complete suspension system. Follow typical procedures except that all main beam splices must line up across the space.
- Step 3:** Prepare the main beam splice to receive the separation joint clip by cutting the locking tab from the left side of the connection and removing 3/4" from the end of the beam on the right.
- Step 4:** Install the clip using the screws provided. Screws #1 and #2 install through the holes in the clip and into the right-hand main beam.
- Step 5:** Align the indexing nib with the lower hole on the left-hand main beam and insert screws #3 and 4 into the upper holes.
- Step 6:** Snap the ES4 or ES49 expansion sleeve over the gap at the face of the main beam and crimp the four corners with a pair of pliers.
- Step 7:** Install SJCG cross tee separation joint clips at one end of every cross tee that spans the area of main beam separation. Follow instructions found on the SJCG data page (BPCS-3815).



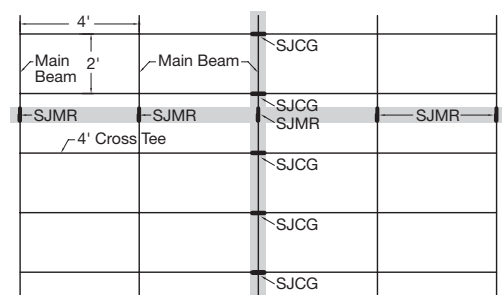
Main Beam in 24" x 48" Layout



Main Beam/Cross Tee in 24" x 24" Layout



Main Beam/Cross Tee in 24" x 48" Layout



TechLineSM / 1 877 276 7876



armstrongceilings.com/suspensionsystems
BPCS-3955-613

All trademarks used herein are the property of AWI Licensing Company and/or its affiliates
© 2013 AWI Licensing Company • Printed in the United States of America

Armstrong[®]
CEILING SOLUTIONS