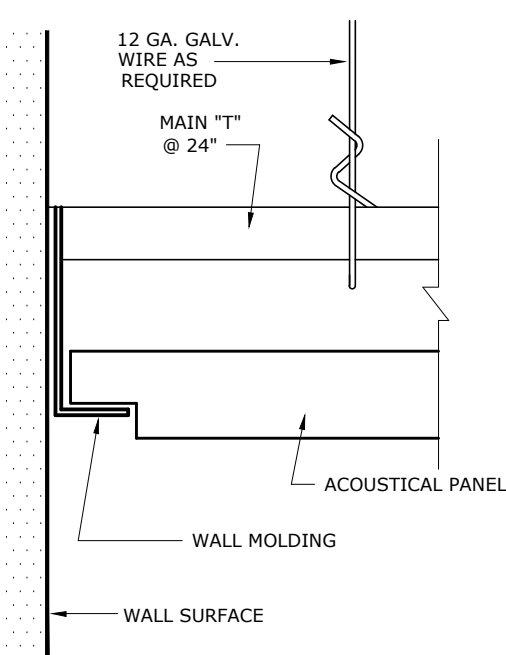
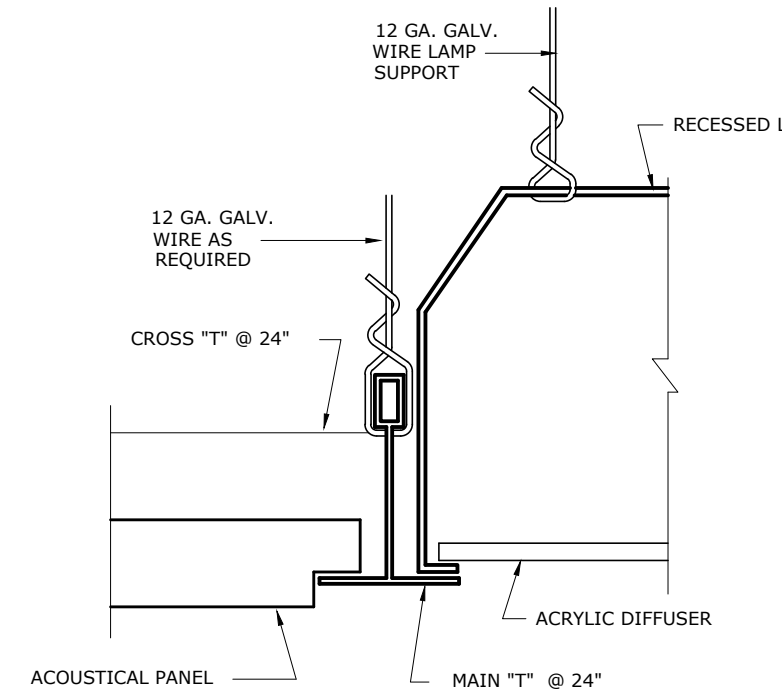


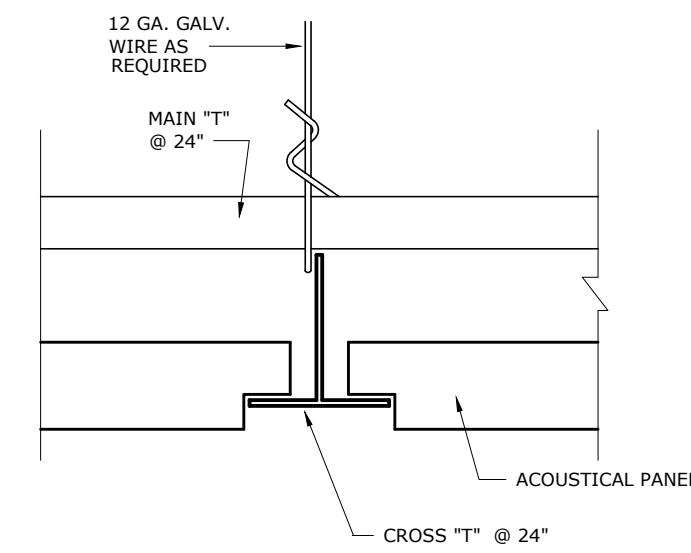
SHADOW MOLDING WALL ANGLE MOUNTED DETAIL
NOT TO SCALE



WALL ANCHORED TYP. DETAIL
NOT TO SCALE



LAMP SUPPORT TYPICAL DETAIL
NOT TO SCALE



CROSS "T" TYPICAL DETAIL
NOT TO SCALE

SUSPENDED CEILING TYPICAL DETAILS
NOT TO SCALE

General Notes:

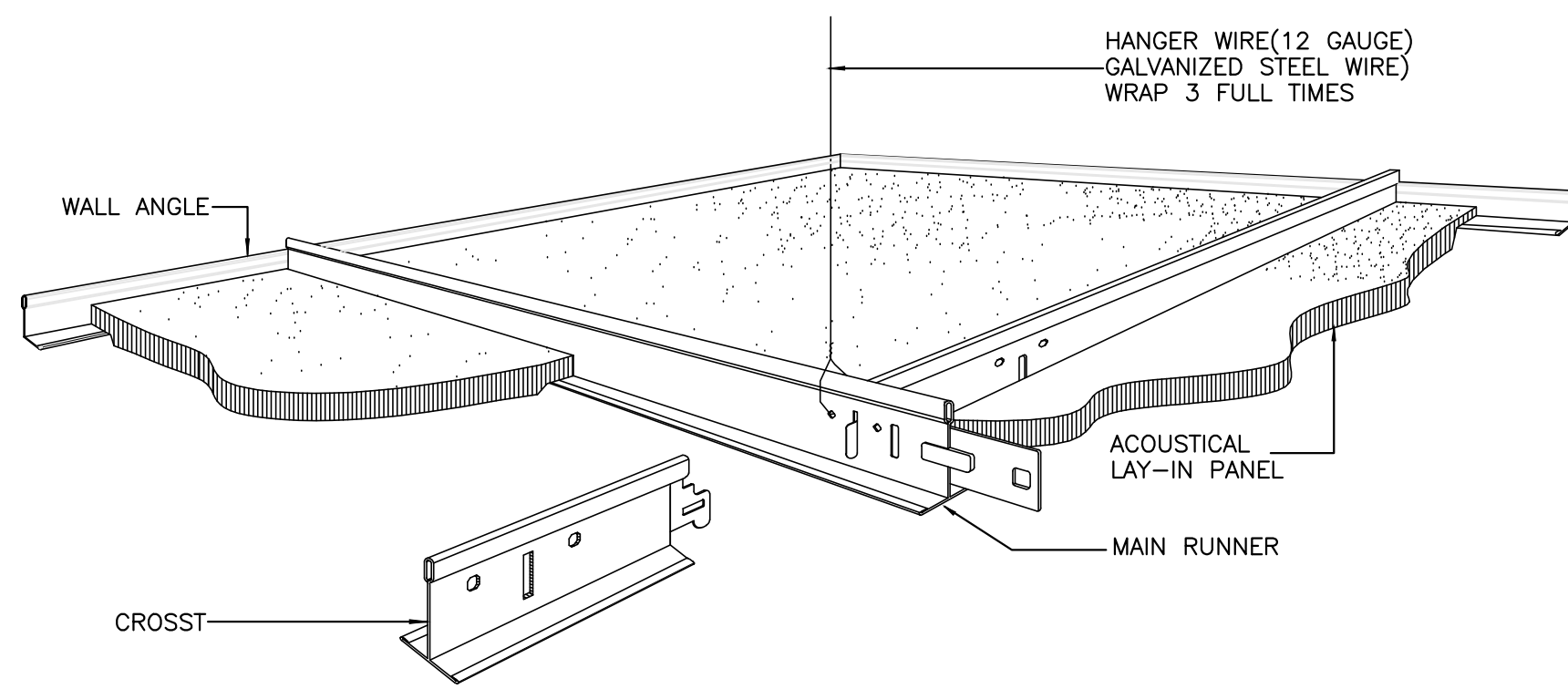
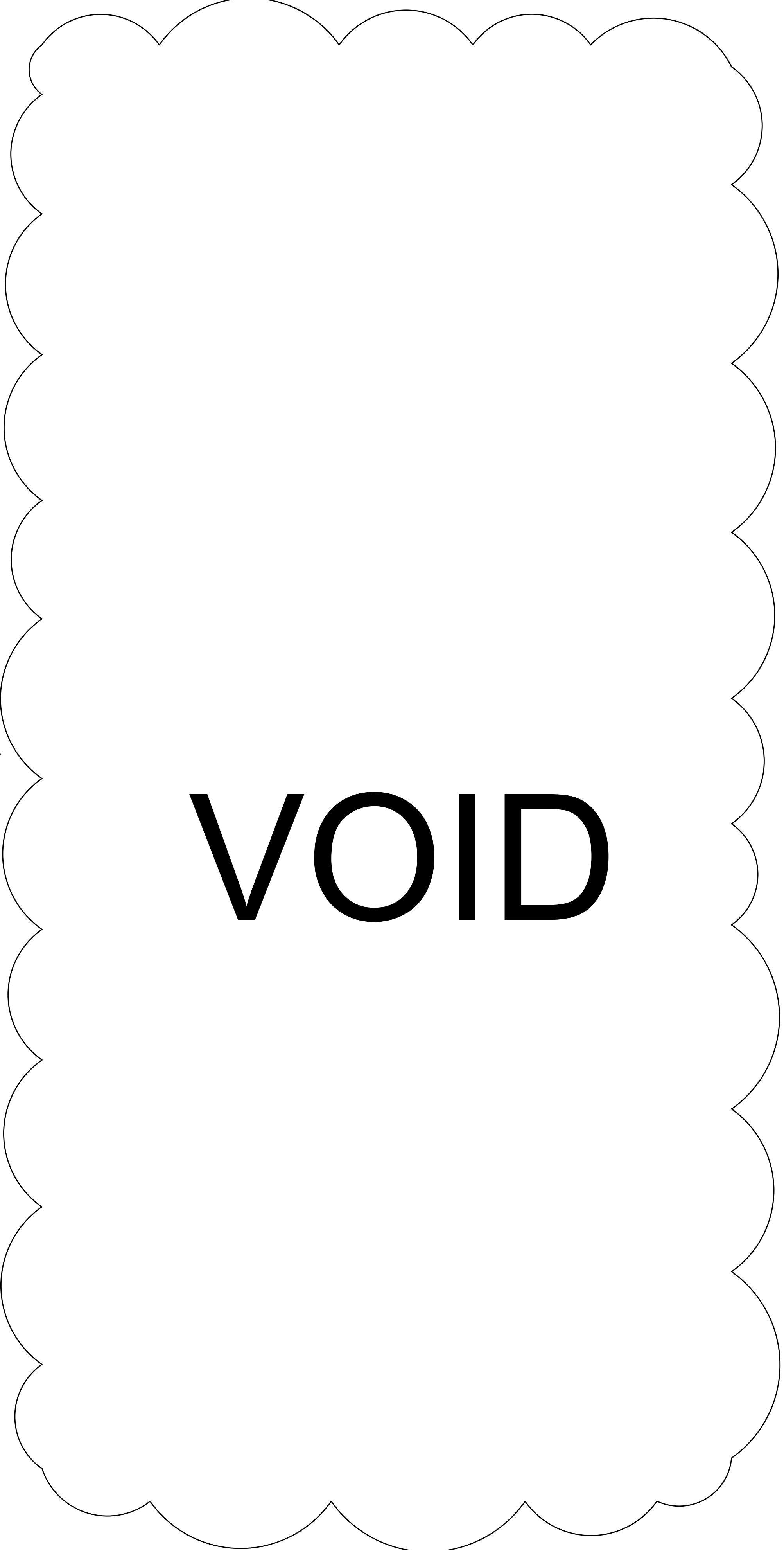
ALL CEILING SYSTEM SHALL BE NEW AS SPECIFICATION IN THIS SHEET.
AIR CONDITIONERS SHALL BE REINSTALLED BEFORE CEILING INSTALLATION.
ALL WALL THAT BE ERCTED UNTIL CEILING SLAB SHALL BE INSTALLED FIRST.
ALL WALLS SHALL BE PAINTED BEFORE INSTALL THE SUSPENDED CEILING.

AIR CONDITIONER NOTE:

THE AIR SUPPLY IS SHOWN IN THIS PLAN FOR CEILING INFORMATION ONLY,
MECHANICAL WORK IS NOT INCLUDE IN THIS PROJECT.

CONSTRUCTION NOTE:

- 1.-THE FISSURED SHALL BE:
 - LAY-IN TYPE.
 - 5/8"x24"x24".
 - WHITE COLOR.
 - SHADOWLINE TAPERED EDGE.
- 2.-ALL CEILING LAMP SHALL BE:
 - ELECTRONIC BALLASTS DESIGNED FOR T8 LAMPS.
 - 3" DEEP CELL PARABOLIC SCREEN.
 - COLOR "SILVER REFLECTOR.
 - 24"x24" FULL SIZE.
 - LAMP COLOR 741.
 - LAMP TYPE: FB32-6"U
 - 9 CELL MODEL.
- 3.-THE HUNG CEILING FRAMING SHALL BE:
 - WHITE COLOR.
 - 7/8" SIZE.
 - INSTALL 8'-3" HEIGHT FROM FINISH FLOOR.



ACOUSTICAL HUNG CEILING ASSEMBLY DETAIL-ISOMETRIC VIEW
NOT TO SCALE

NO.	DESCRIPTION	DATE	BY

TRIBUNAL GENERAL DE JUSTICIA
OFICINA DE ADMINISTRACION DE LOS TRIBUNALES
DIRECTORIA DE ADMINISTRACION
OFICINA DE ADMINISTRACION Y CONSERVACION DE LOCALES

APPROVED BY: _____ APPROVED DATE: _____

APPROVED SIGN: _____

PROJECT NAME: REMODELACION DE ARCHIVO CENTRAL	PROJECT LOCATION: PRIMER PISO ARCHIVO CENTRAL SAN JUAN , PUERTO RICO
DESIGNED BY: OSCAR HERNANDEZ	CHECKED BY: DANIEL PADILLA
DATE: FEBRERO-2023	SCALE: AS SHOWN
PROJECT NO. _____ SHEET NO. _____	
DRAWING SCALE: _____	
FILE NAME: _____	
A-7	OF: 10