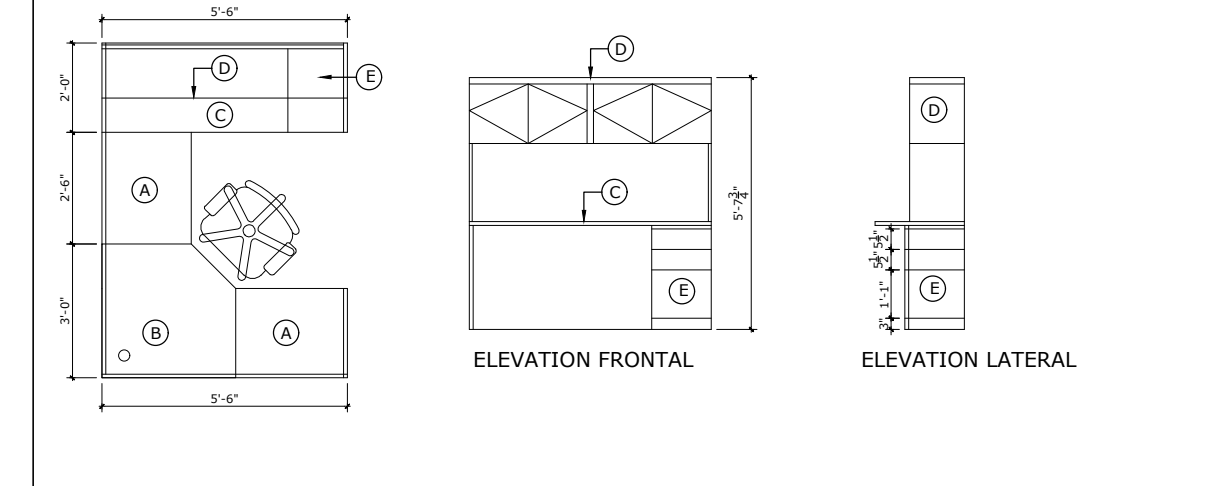


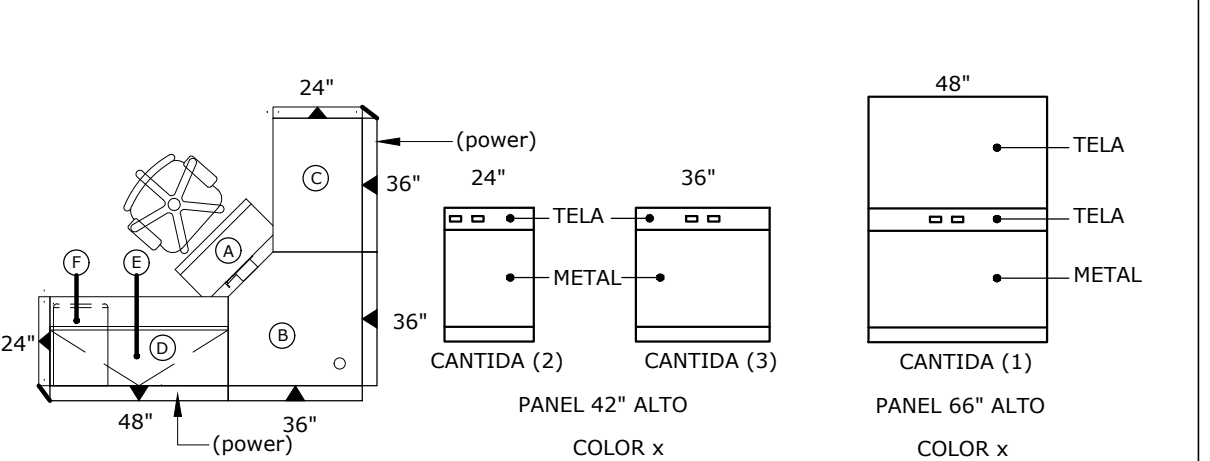
ESTACIÓN 1 CANTIDAD 3

MKD	Quantity	Product Description (Color: Tropical Walnut)
A	1	Conector Worksurface With End Panel, 30w"d x 24"w
B	1	90° Corner Worksurface, 36" w x 36" d
C	1	Worksurface With End Panel, 66" w x 24" d
D	1	Overhead Credenza, Panel-mounted, 18" h x 65" w x 15-1/2" d (min.)
E	1	Pedestal, 22" d, x 16" w Box, Box, File
F	1	Teclado Ajustable con "mousetroy" integrado



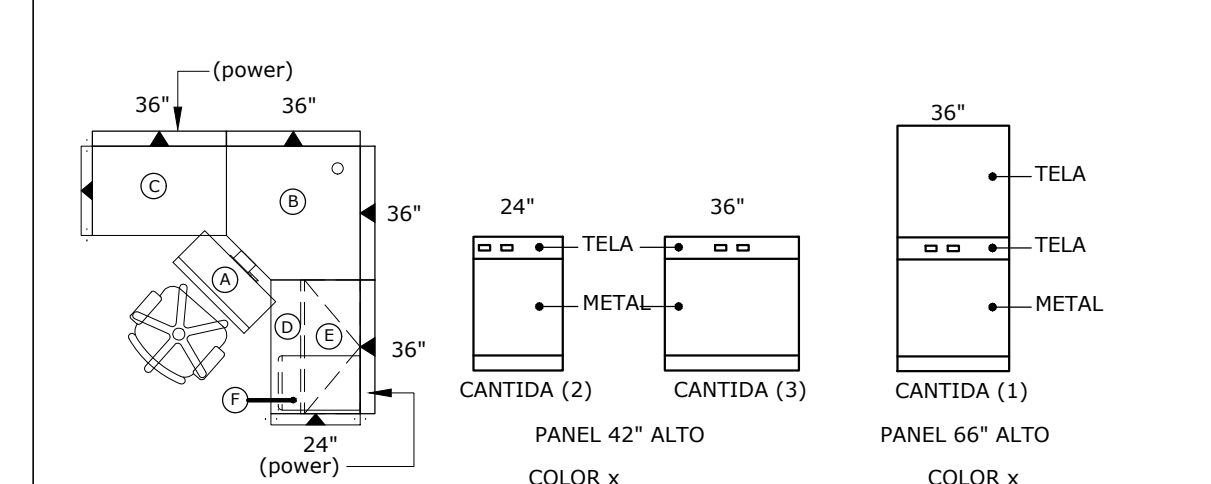
ESTACIÓN 2 CANTIDAD 1

MKD	Quantity	Product Description
A	1	Dial-a-Tilt Short Track Keyboard Arm, Teflon Slide, Base Swivel, +10°/-15° (25"W x 10.5"D)
B	1	90° Corner Worksurface, 36" w x 36" d
C	1	Rectangular Worksurface With End Panel, 24" d x 36" w
D	1	Rectangular Countertop, 24" d x 48" w
E	1	Overhead Cabinet, Panel-mounted, 15" h x 48" w x 15-1/2" d (min.)
F	1	Pedestal, 22" d, Box, Box, File
G	1	Rectangular Worksurface With End Panel, 24" d x 24" w



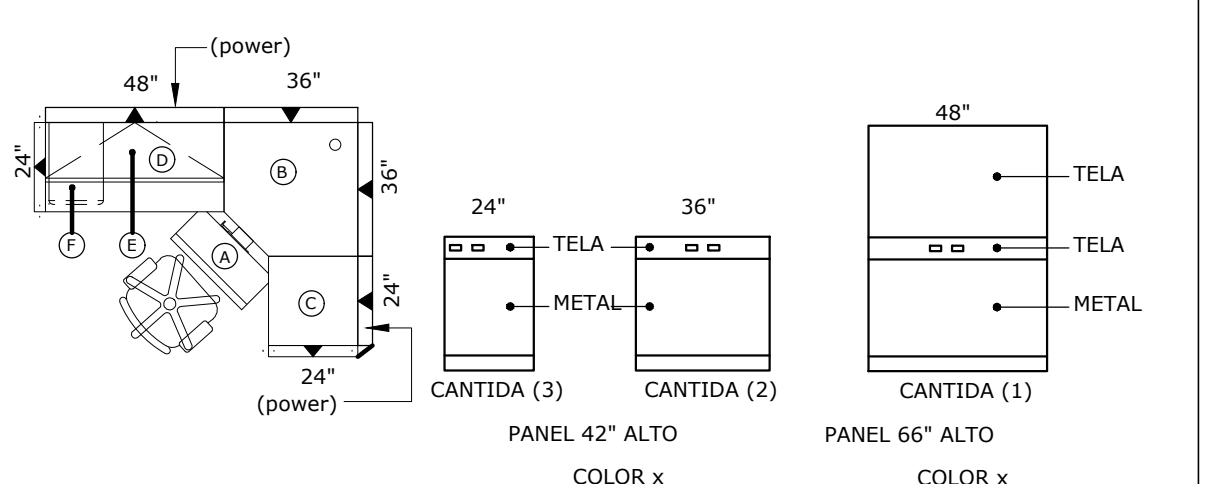
ESTACIÓN 3 CANTIDAD 5

MKD	Quantity	Product Description
A	1	Dial-a-Tilt Short Track Keyboard Arm, Teflon Slide, Base Swivel, +10°/-15° (25"W x 10.5"D)
B	1	90° Corner Worksurface, 36" w x 36" d
C	1	Rectangular Worksurface With End Panel, 24" d x 36" w
D	1	Rectangular Countertop, 24" d x 36" w
E	1	Overhead Cabinet, Panel-mounted, 15" h x 36" w x 15-1/2" d (min.)
F	1	Pedestal, 22" d, Box, Box, File



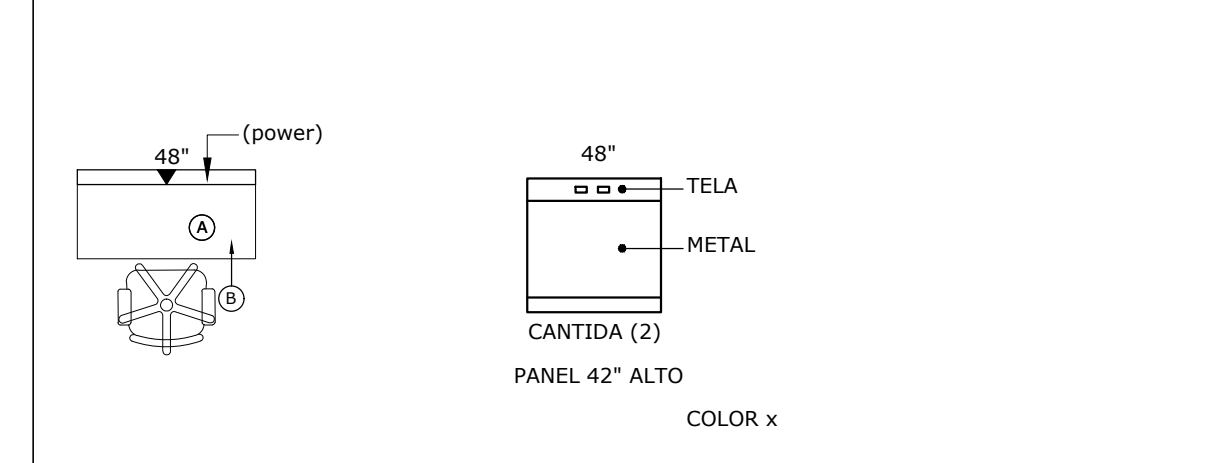
ESTACIÓN 4 CANTIDAD 3

MKD	Quantity	Product Description
A	1	Dial-a-Tilt Short Track Keyboard Arm, Teflon Slide, Base Swivel, +10°/-15° (25"W x 10.5"D)
B	1	90° Corner Worksurface, 36" w x 36" d
C	1	Rectangular Worksurface With End Panel, 24" d x 24" w
D	1	Rectangular Countertop, 24" d x 48" w
E	1	Overhead Cabinet, Panel-mounted, 15" h x 48" w x 15-1/2" d (min.)
F	1	Pedestal, 22" d, Box, Box, File



ESTACIÓN 5 CANTIDAD 2

MKD	Quantity	Product Description
A	2	Rectangular Worksurface With End Panel, 24" d x 48" w
B	1	Overhead Cabinet, Panel-mounted, 15" h x 48" w x 15-1/2" d (min.)



SILLA TIPO I CANTIDAD 15

Product Description
Silla ejecutiva acojinada con ruedas.

SILLA TIPO II CANTIDAD 4

Product Description
Silla fija acojinada sin ruedas.

ESTACIÓN 6 CANTIDAD 2

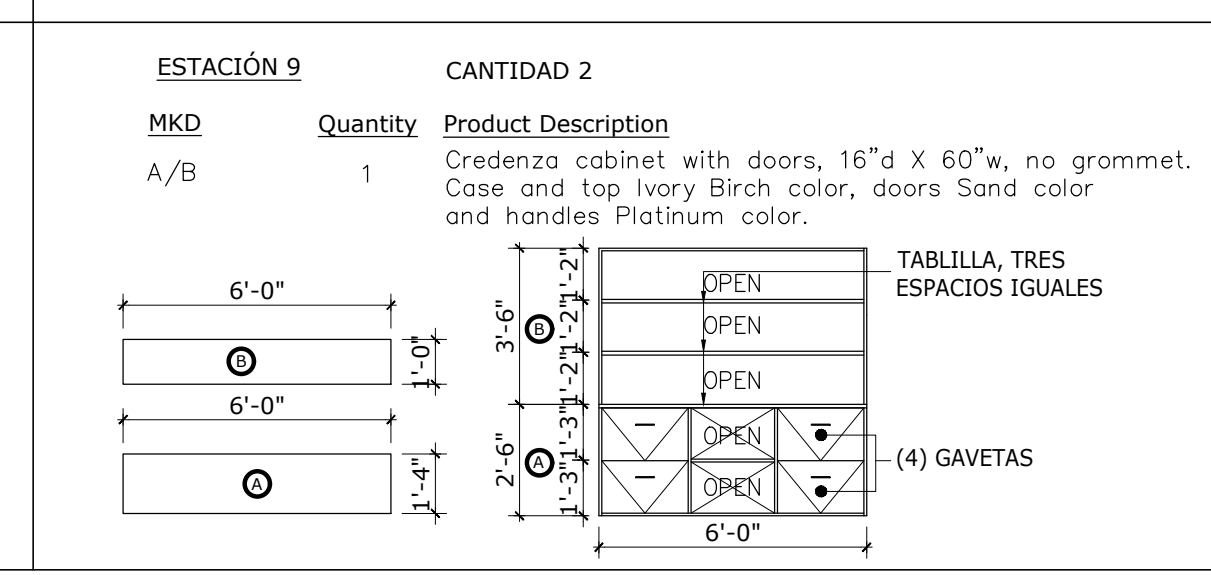
(4) TABLILLAS ADJUSTABLES

Product Description
* 30"W x 16"D x 72"H



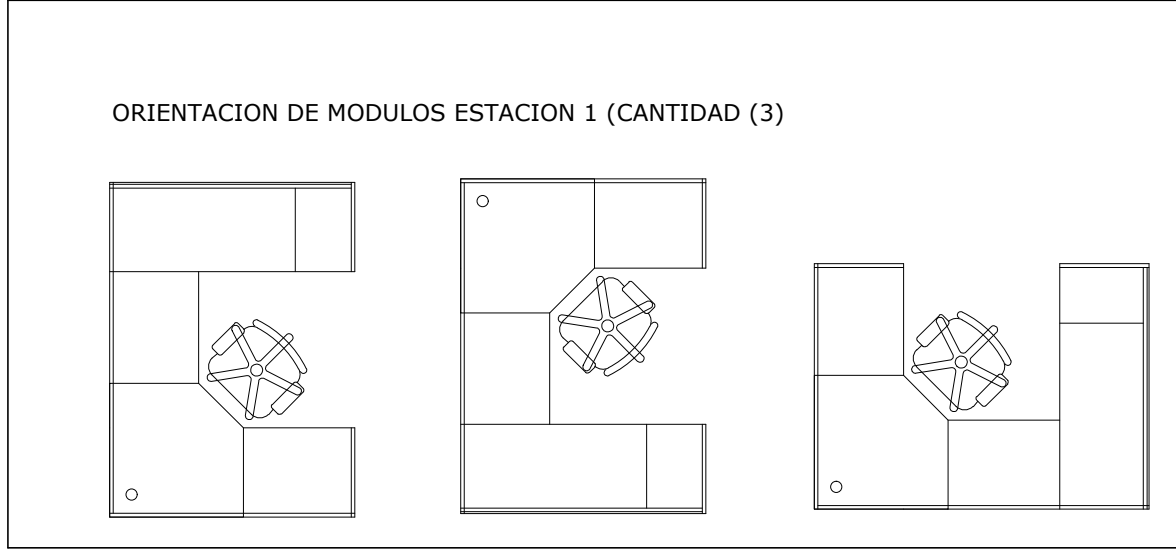
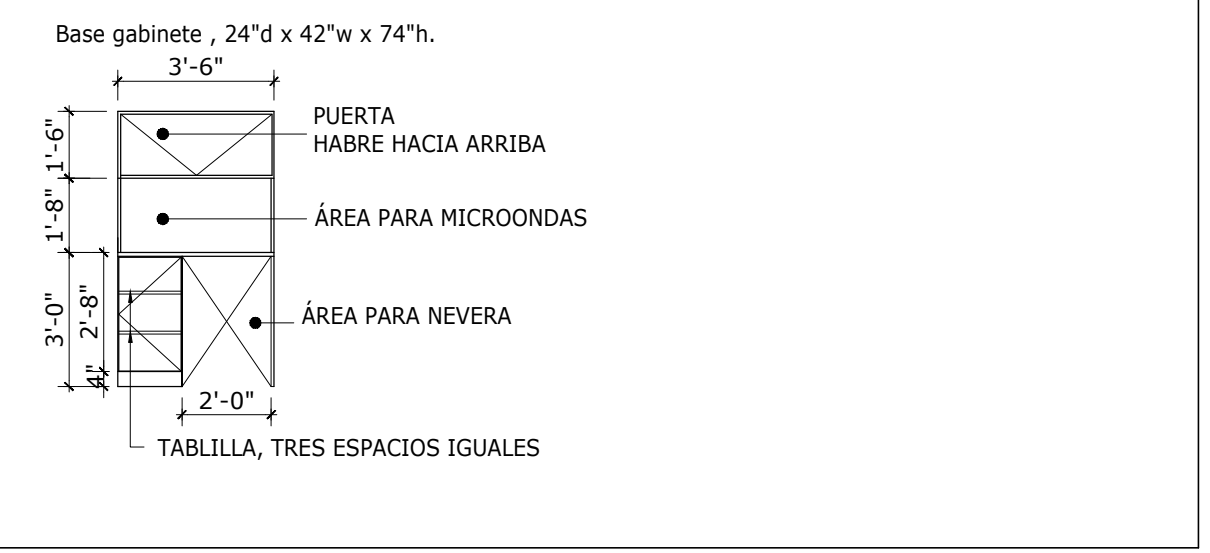
ESTACIÓN 8 CANTIDAD 2

MKD	Quantity	Product Description
A	1	Credenza cabinet with doors, 18" d X 36" w, no grommet. Case and top Ivory Birch color, doors Sand color and handles Platinum color.



ESTACIÓN 7 CANTIDAD 1

MKD	Quantity	Product Description
A	1	cabinet, 20" d X 42" w, no grommet. Case and top Ivory Birch color, doors Sand color and handles Platinum color.



PLANO MODULACION 2nd. FLOOR LEVEL
SCALE: 1/4" = 1'-0"

REVISIONS

NO.	DESCRIPTION	DATE	BY

TRIBUNAL GENERAL DE JUSTICIA
OFICINA DE ADMINISTRACION DE LOS TRIBUNALES
DIRECTORIA DE ADMINISTRACION
OFICINA DE ADMINISTRACION Y CONSERVACION DE LOCALES

APPROVED BY: _____ APPROVED DATE: _____

APPROVED SIGN: _____

DIGITALIZACION DE PLANOS DE FACILIDADES DEL T. G. J.

T.P.I. SALINAS, (0805) R.J. GUAYAMA

PLANO MODULACION C.J. SALINA

GERENTE DE PROYECTO: _____
PROYECTO DATE: 15/OCTUBRE/2025
ESPEC. EN DISEÑO: CAROL F. ARCHO
CHECKED BY: ING. DANIEL PADILLA
DRAWING BY: P. MORALES
FILE NAME: 0805-EXISTING.dwg

SHEET NO. **A-04**
OF: 2