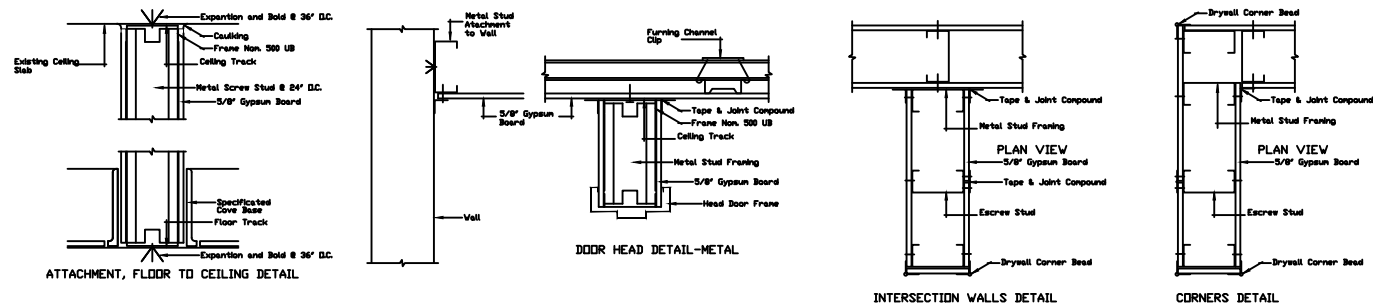
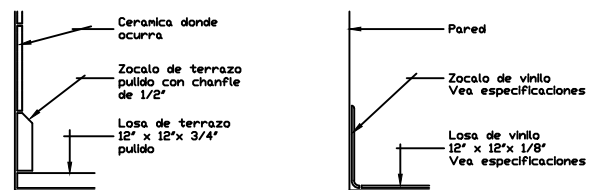


DETALLE DE PARED DE GYPSUM BOARD
NO A ESCALA

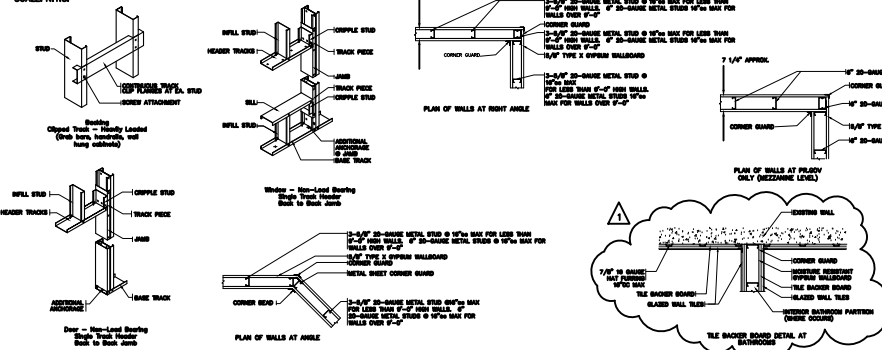


GYPSUM WALLBOARD, CONSTRUCTION DETAILS (TYPICAL)
NO A ESCALA

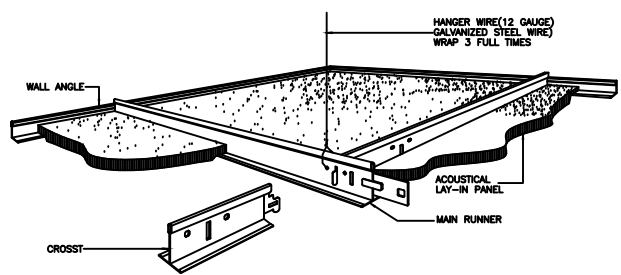
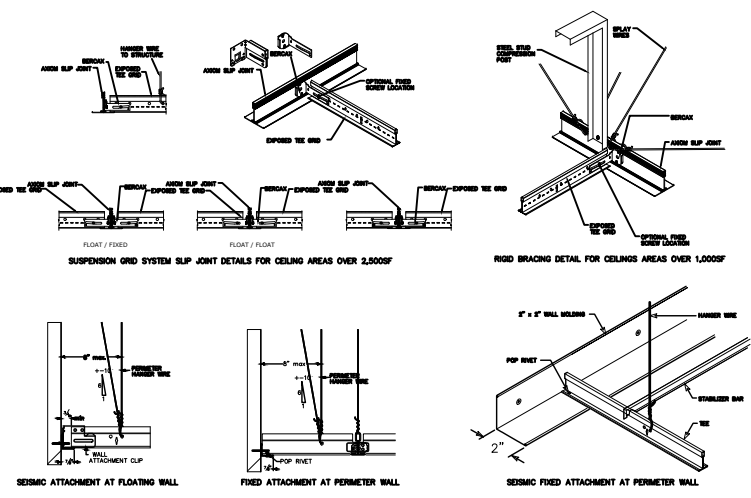


DETALLES TIPICOS DE ZOCALOS
NO A ESCALA

GYPSUM WALL TYPICAL DETAILS
SCALE: N.T.S.

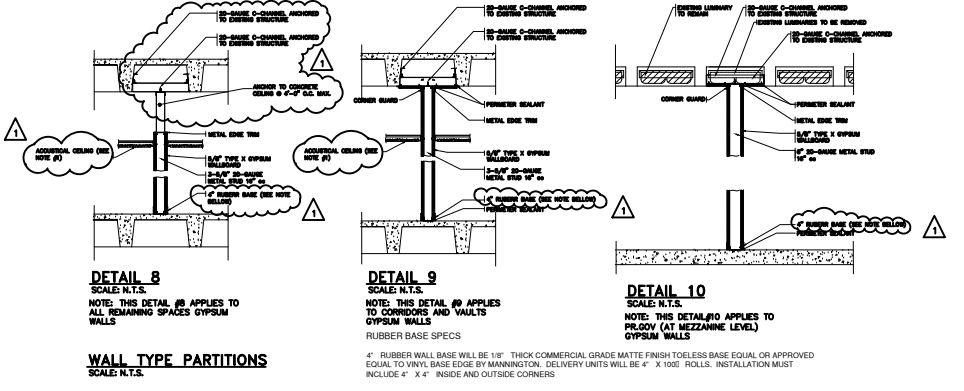
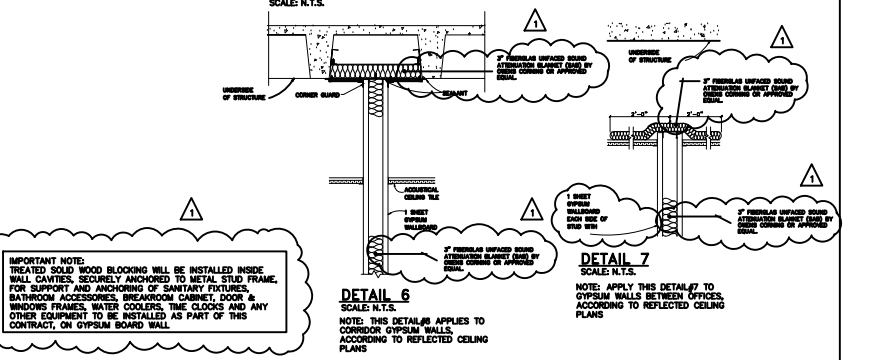


ACOUSTICAL CEILING SUSPENSION GRID SYSTEM DETAILS



ACOUSTICAL HUNG CEILING
ASSEMBLY DETAIL-ISOMETRIC VIEW
NOT TO SCALE

SOUND ATTENUATION BLANKET (SAB) TYPICAL DETAILS
SCALE: N.T.S.



O A T

REVISIONS		DATE	BY
NO.	DESCRIPTION		

TRIBUNAL GENERAL DE JUSTICIA
OFICINA DE ADMINISTRACION DE LOS TRIBUNALES
DIRECTORIA DE ADMINISTRACION
DIVISION DE LOCALES Y SERVICIOS ESPECIALES

APPROVED BY: _____ APPROVED DATE: _____

PROJECT NAME: OAT - MEZZANINE - HOUSING
PROJECT LOCATION: HATO REY, PUERTO RICO
DRAWING DESCRIPTION: DETALLES TECHO ACUSTICO

PROJECT DATE: 12 ENERO 2026
DRAWING DATE: _____
DRAWING BY: PETER RUBI
DRAWING SCALE: 1/8"=1'-0"
FILE NAME: _____

OF: A-4 / 4/6