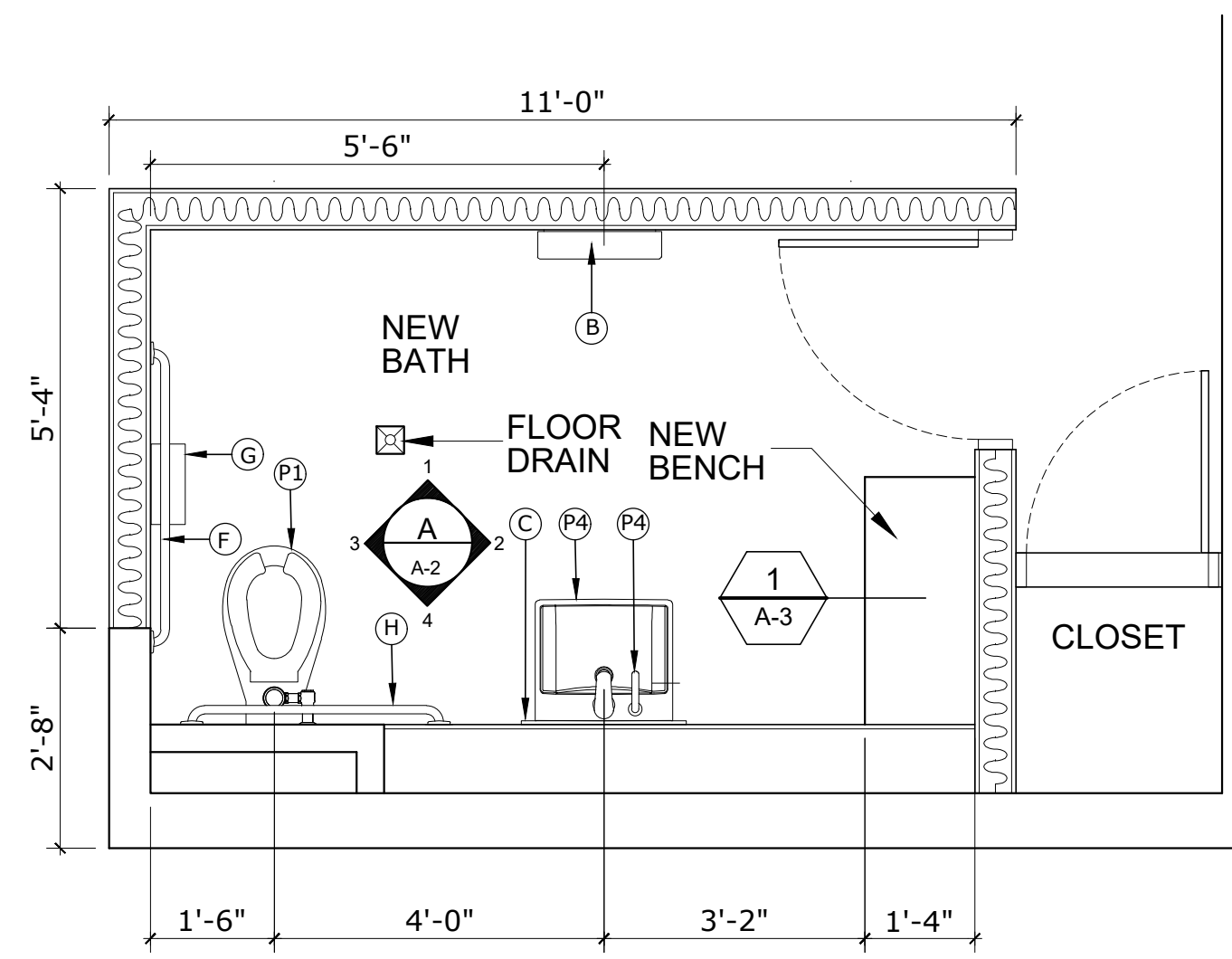


NO.	DESCRIPTION	DATE	BY

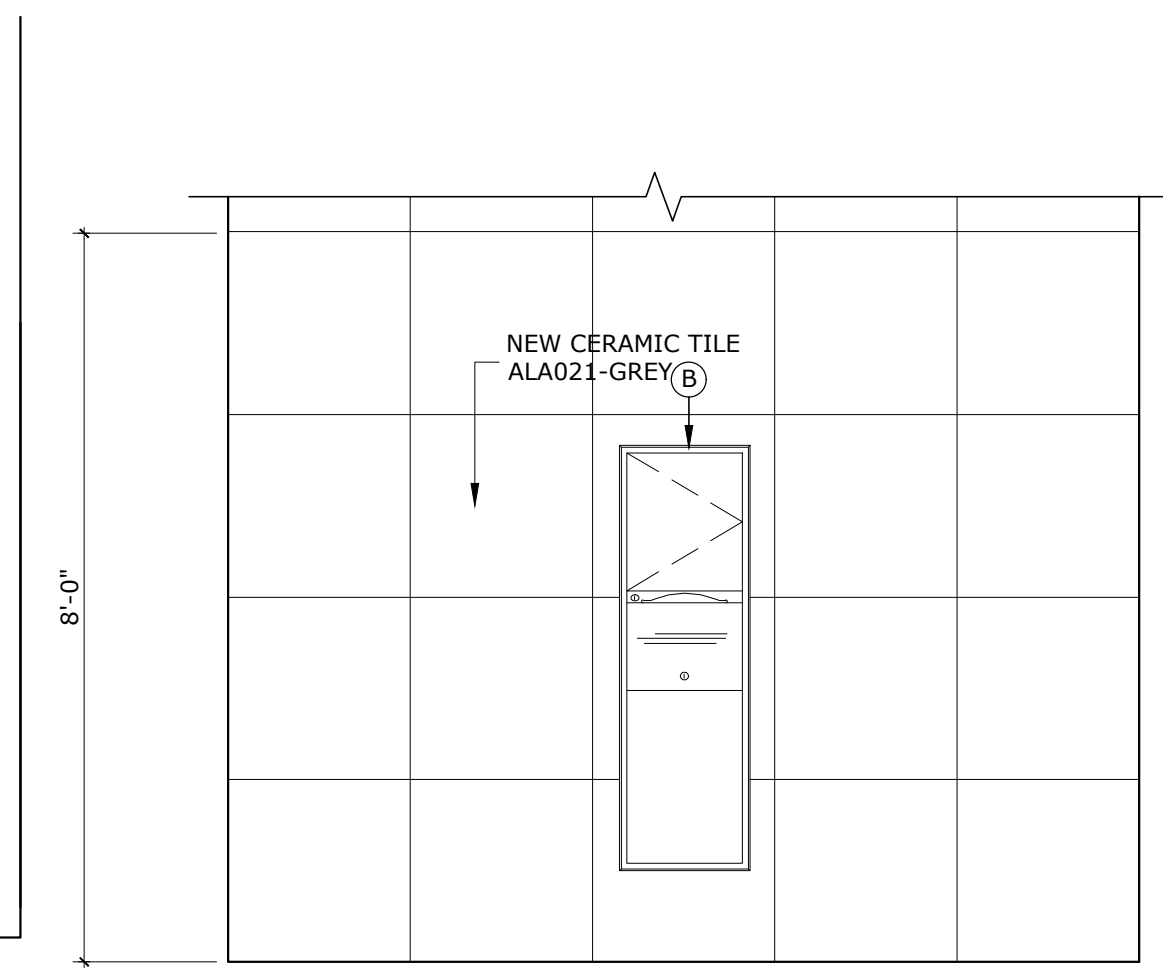
TRIBUNAL GENERAL DE JUSTICIA
 OFICINA DE ADMINISTRACION DE LOS TRIBUNALES
 DIRECTORIA DE ADMINISTRACION
 OFICINA DE ADMINISTRACION Y CONSERVACION DE LOCALES
 APPROVED BY: _____ APPROVED DATE: _____
 APPROVED SIGN: _____

PROJECT NAME:	NUEVA OFICINA
PROJECT LOCATION:	TRIBUNAL SUPREMO
DRAWING RESOLUTION:	NUEVO BANO
CLIENT:	ING. DANIEL PADILLA
DESIGNER:	P. MORALES
DATE:	04-ENERO-2026
SCALE:	1/8"=1'-0"
PROJECT NO.:	1601-A-SECOND.dwg
SHEET NO.:	A-06

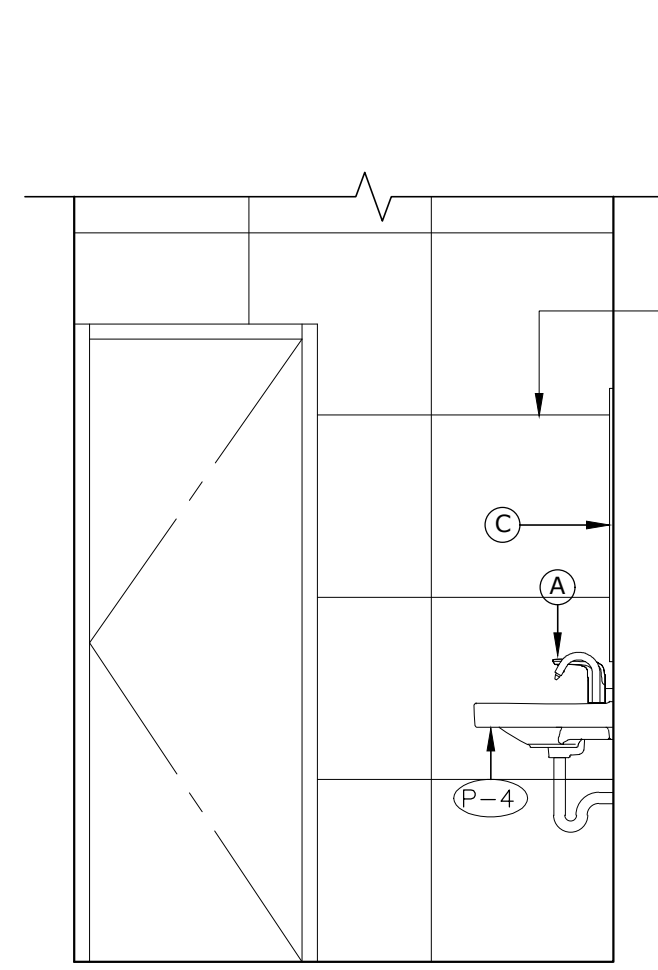


**NEW BATH OFFICE JUEZ ASOCIADO
SECOND FLOOR PLAN (edificio principal)**

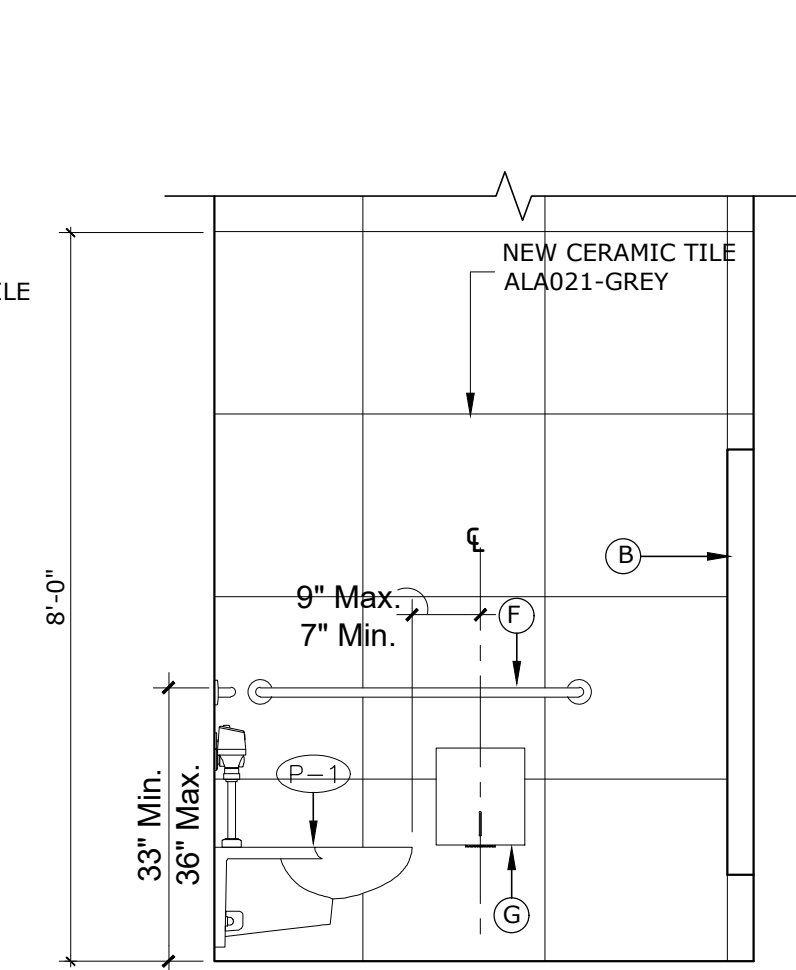
SCALE: 1/2"=1'-0"



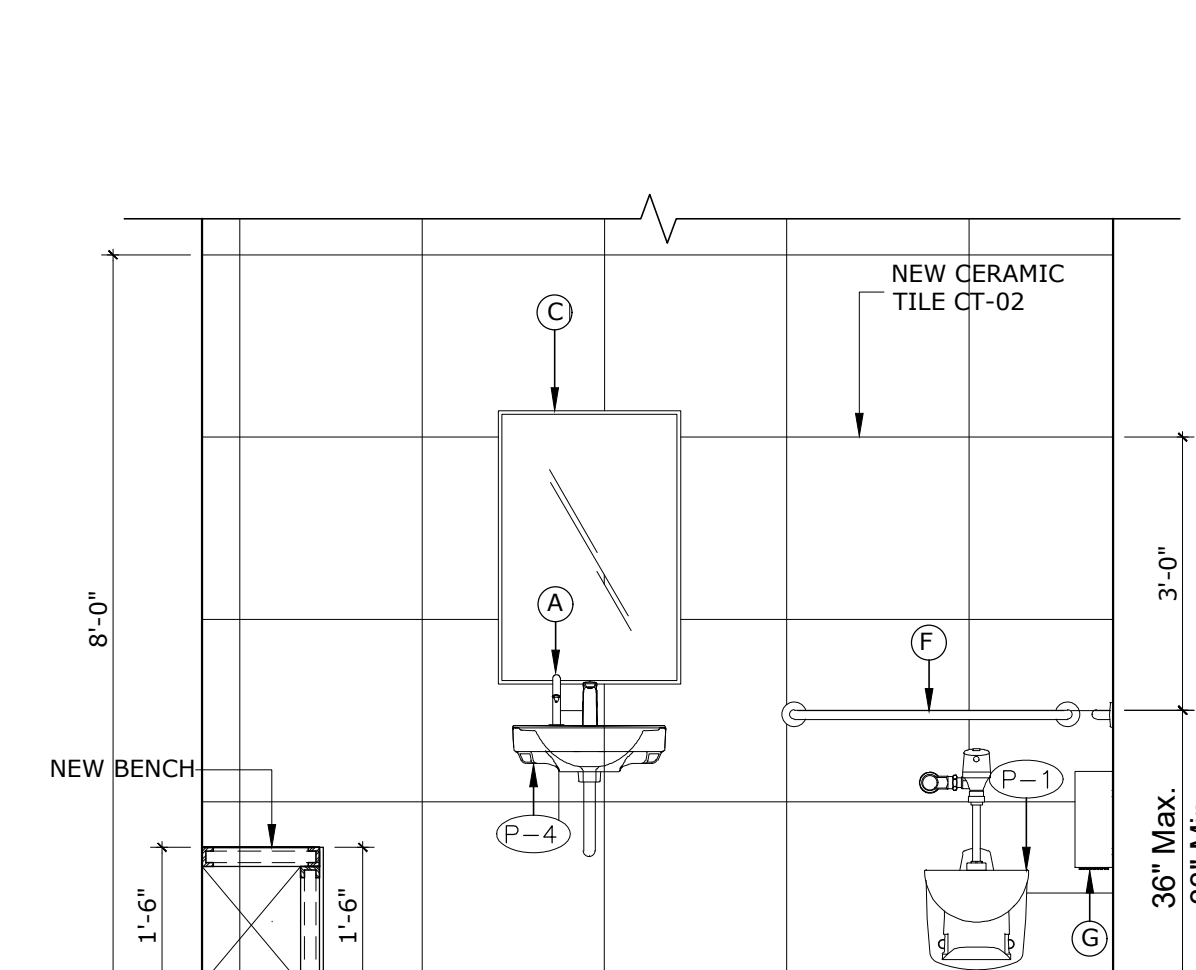
ELEVATION 1
SCALE: 3/8"=1'-0"



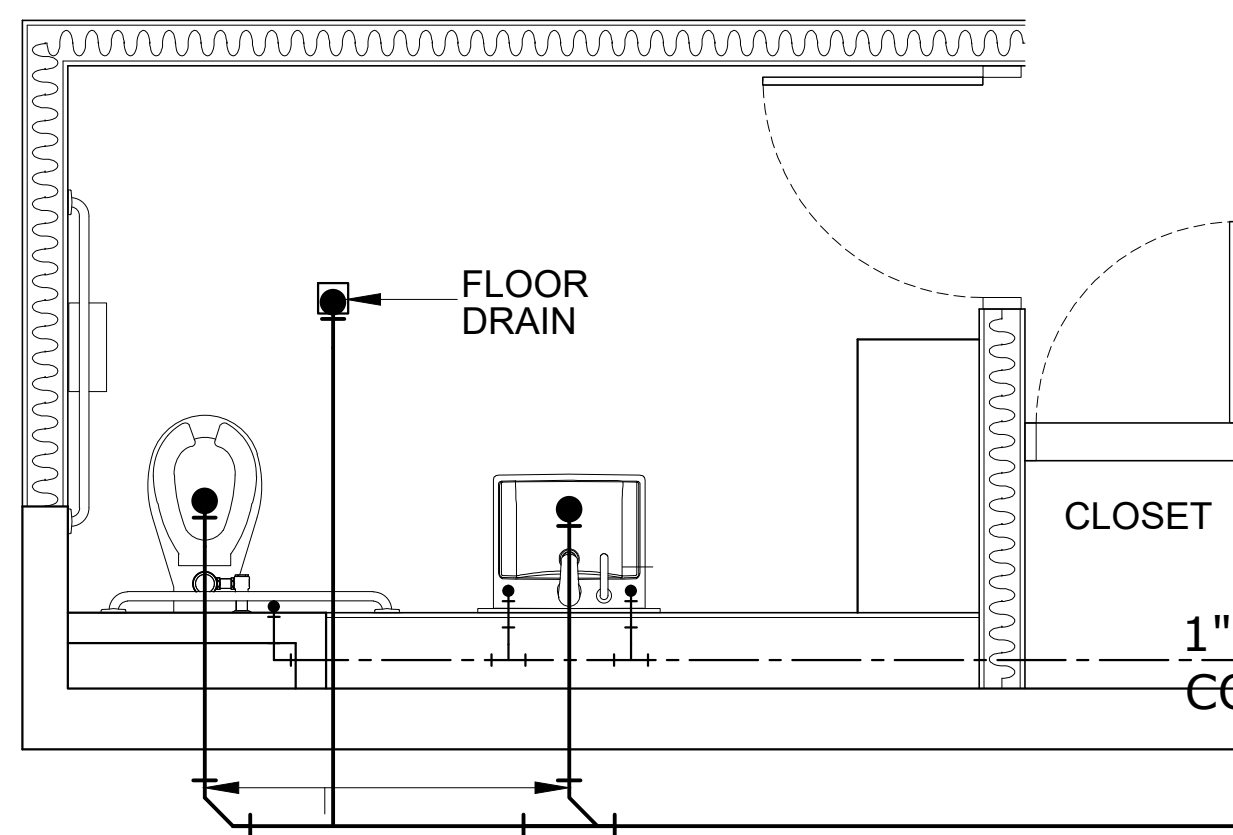
ELEVATION 2
SCALE: 3/8"=1'-0"



ELEVATION 3
SCALE: 3/8"=1'-0"



ELEVATION 4
SCALE: 3/8"=1'-0"



**PLUMBING FLOOR PLAN (new bath)
SECOND FLOOR PLAN (edificio principal)**

SCALE: 1/2"=1'-0"

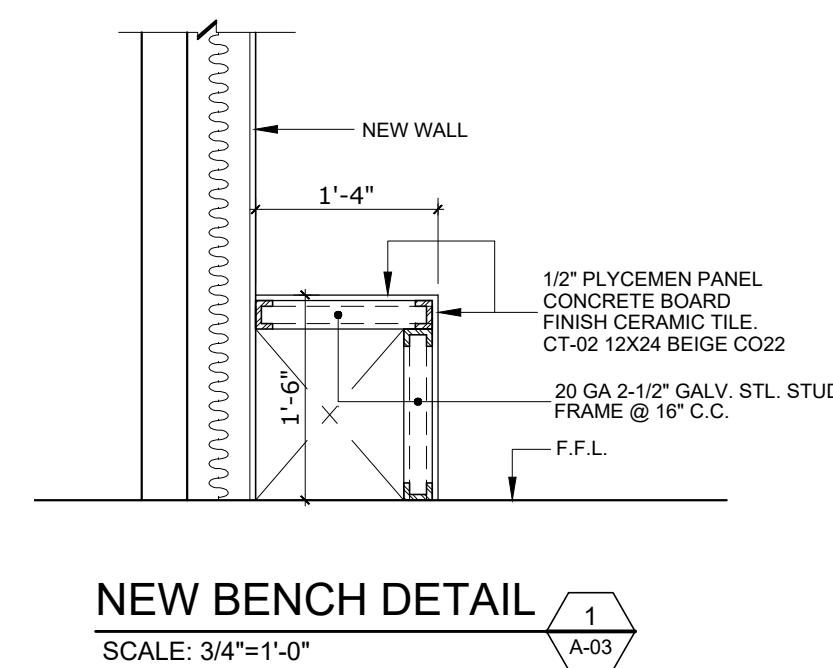
1"Ø COPPER TYPE K COLD WATER
CONNECT TO EXISTING LINE

4"Ø PVC SCH 40 (SANITARY LINE)
CONNECT TO SANITARY EXISTING

2"Ø PVC SCH 40
(SANITARY LINE)

BATHROOM ACCESSORIES							
MKD.	DESCRIPTION	STYLE	MODEL NUMBER	MOUNTING HEIGHT	MFR.	REMARKS	LOCATION
(A)	FOAM SOAP DISPENSER	TOUCHLESS SENSOR-OPERATED	7770100.002	-	AMERICAN STANDARD	POLISHED CHROME FINISH	ALL BATHROOMS
(B)	PAPER TOWEL DISPENSER & WASTE RECEPTACLE	SURFACE MOUNTED CONVERTIBLE	B-3949	SURFACE MOUNTED SEE ELEV.	BOBRICK	SATIN-FINISH STAINLESS STEEL	ALL BATHROOMS
(C)	MIRROR	STAINLESS STEEL CHANNEL FRAME	B-165	40" MAX. TO REFLECTIVE SURFACE	BOBRICK	STAINLESS STEEL WITH BRIGHT-POLISHED FINISH	ALL BATHROOMS
(D)	BABY CHANGING STATION	SURFACE MOUNTED STAINLESS STEEL	9013-9	SEE ELEVATION	AMERICAN SPECIALTIES, INC.	STAINLESS STEEL	ALL BATHROOMS
(E)	COAT HOOK	HEAVY-DUTY CLOTHES HOOK	B-2116	48" MAX. A.F.F.	BOBRICK	38" TO 40" MAX A.F.F. TO TOP OF BASE	ALL TOILET COMPARTMENT DOORS
(F)	42" GRAB BAR	STRAIGHT GRAB BAR	B-5806X42	36" MAX. GRIPPING SURFACE	BOBRICK	33" MIN - 36" MAX. A.F.F. TO TOP GRIPPING SURFACE	ACCESSIBLE TOILET COMPARTMENT
(G)	TOILET ROLL HOLDER	SURFACE MOUNTED SINGLE JUMBO-TOILET ROLL HOLDER	B-9890	15" MIN. OPERABLE PART A.F.F.	BOBRICK	STAINLESS STEEL, SATIN FINISH	ALL TOILET COMPARTMENTS
(H)	36" GRAB BAR	STRAIGHT GRAB BAR	B-5806X36	36" MAX. GRIPPING SURFACE A.F.F.	BOBRICK	33" MIN. - 36" MAX. A.F.F. TO TOP GRIPPING SURFACE	ACCESSIBLE TOILET COMPARTMENT
(I)	TOILET PARTITION	SOLID PLASTIC HDPE	SERIES 400	MIN. 17" - MAX 19" TO TOP OF THE SEAT	BRADLEY	SUBMIT COLOR PALETTE FOR ARCHITECT APPROVAL	ALL BATHROOMS

MK'D	EQUIPMENT	MODEL & DESCRIPTION
(P-1)	HANDICAPPED TOILETS	INODORO BLANCO CL-10012A
(P-4)	LAVATORIES	VANITY BLANCO ST-58144 / ST-51844



NEW BENCH DETAIL
SCALE: 3/4"=1'-0"

