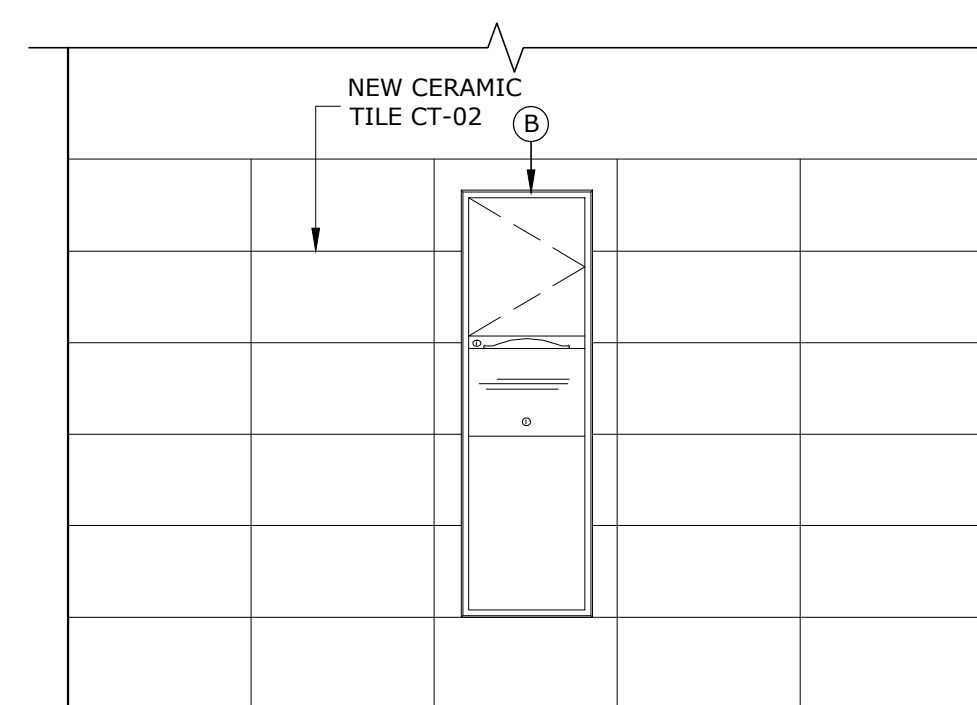
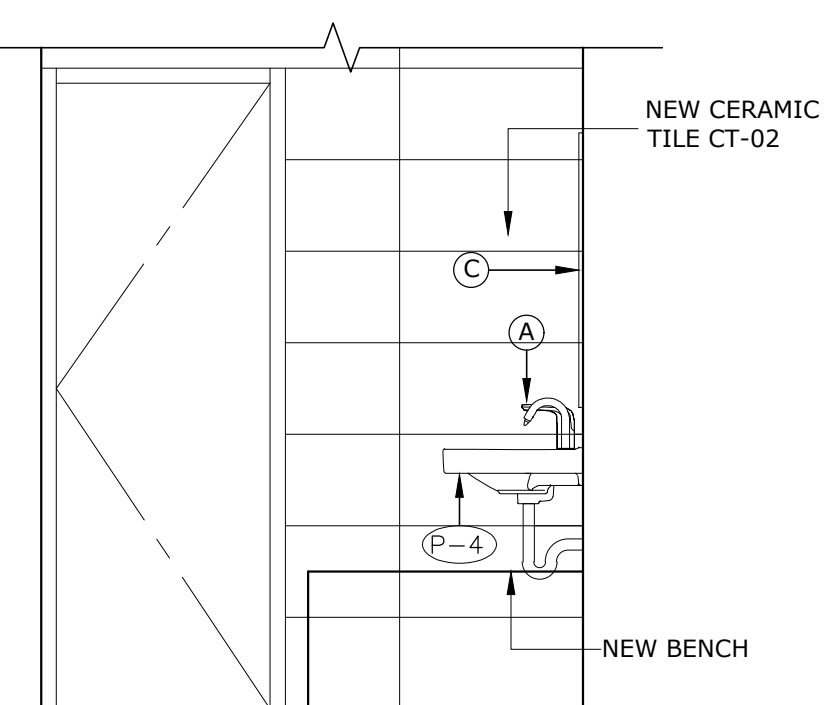


**NEW BATH OFFICE JUEZ ASOCIADO
SECOND FLOOR PLAN (edificio principal)**

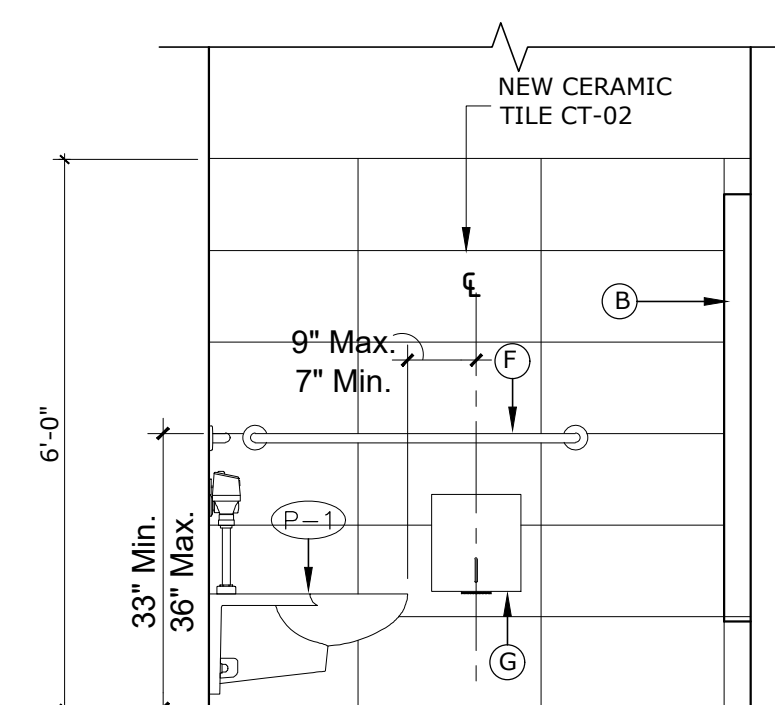
SCALE: 1/2"=1'-0"



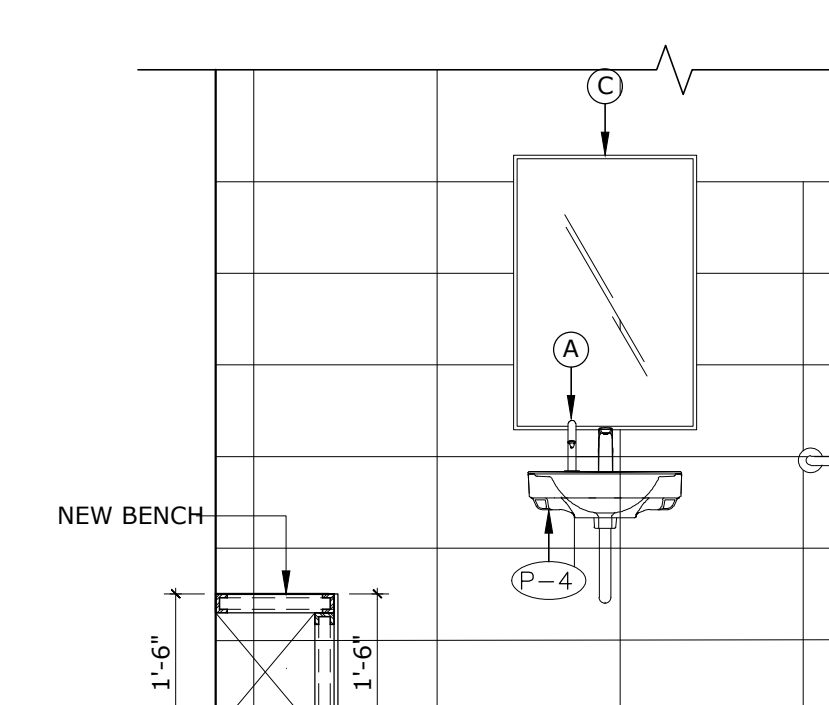
ELEVATION 1
SCALE: 3/8"=1'-0"



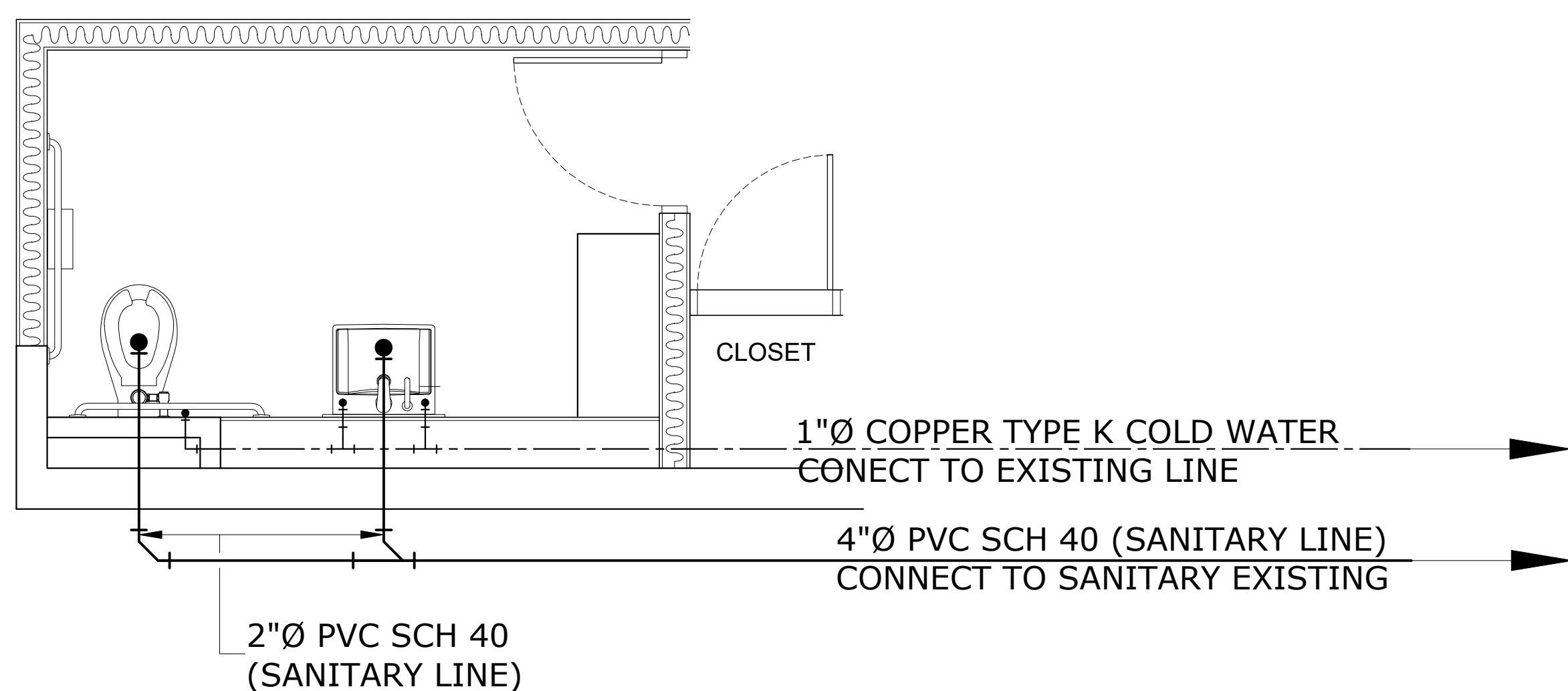
ELEVATION 2
SCALE: 3/8"=1'-0"



ELEVATION 3
SCALE: 3/8"=1'-0"



ELEVATION 4
SCALE: 3/8"=1'-0"

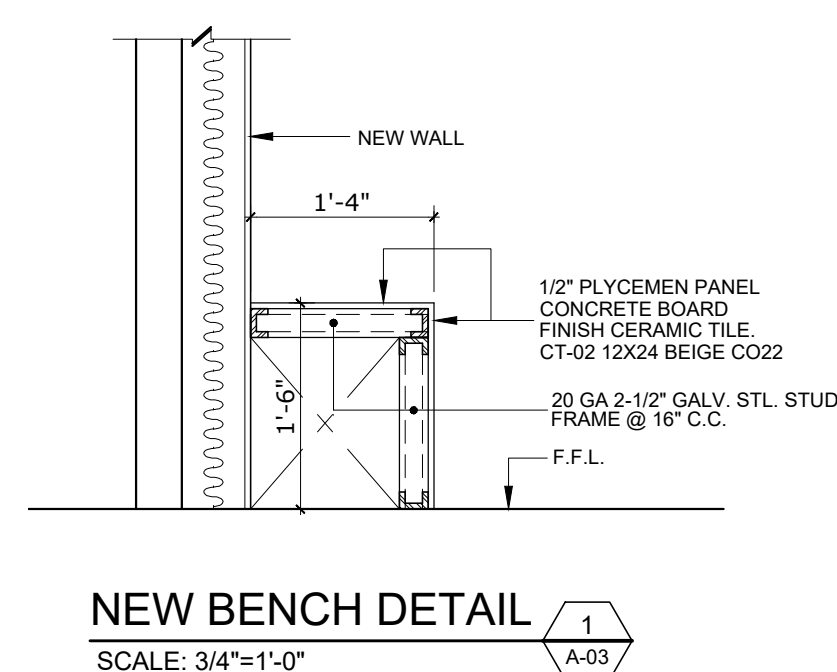


**PLUMBING FLOOR PLAN (new bath)
SECOND FLOOR PLAN (edificio principal)**

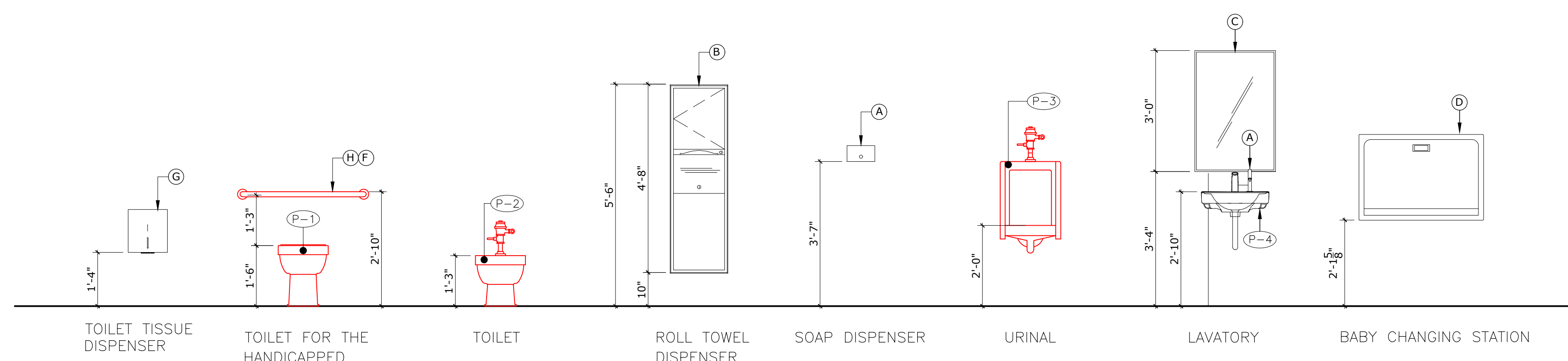
SCALE: 1/2"=1'-0"

BATHROOM ACCESSORIES							
MKD.	DESCRIPTION	STYLE	MODEL NUMBER	MOUNTING HEIGHT	MFR.	REMARKS	LOCATION
(A)	FOAM SOAP DISPENSER	TOUCHLESS SENSOR-OPERATED	7770100.002	-	AMERICAN STANDARD	POLISHED CHROME FINISH	ALL BATHROOMS
(B)	PAPER TOWEL DISPENSER & WASTE RECEPTACLE	SURFACE MOUNTED CONVERTIBLE	B-3949	SURFACE MOUNTED SEE ELEV.	BOBRICK	SATIN-FINISH STAINLESS STEEL	ALL BATHROOMS
(C)	MIRROR	STAINLESS STEEL CHANNEL FRAME	B-165	40" MAX. TO REFLECTIVE SURFACE	BOBRICK	STAINLESS STEEL WITH BRIGHT-POLISHED FINISH	ALL BATHROOMS
(D)	BABY CHANGING STATION	SURFACE MOUNTED STAINLESS STEEL	9013-9	SEE ELEVATION	AMERICAN SPECIALTIES, INC.	STAINLESS STEEL	ALL BATHROOMS
(E)	COAT HOOK	HEAVY-DUTY CLOTHES HOOK	B-2116	48" MAX. A.F.F.	BOBRICK	38" TO 40" MAX A.F.F. TO TOP OF BASE	ALL TOILET COMPARTMENT DOORS
(F)	42" GRAB BAR	STRAIGHT GRAB BAR	B-5806X42	36" MAX. GRIPPING SURFACE	BOBRICK	33" MIN. - 36" MAX. A.F.F. TO TOP GRIPPING SURFACE	ACCESSIBLE TOILET COMPARTMENT
(G)	TOILET ROLL HOLDER	SURFACE MOUNTED SINGLE JUMBO-TOILET ROLL HOLDER	B-9890	15" MIN. OPERABLE PART A.F.F.	BOBRICK	STAINLESS STEEL, SATIN FINISH	ALL TOILET COMPARTMENTS
(H)	36" GRAB BAR	STRAIGHT GRAB BAR	B-5806X36	36" MAX. GRIPPING SURFACE A.F.F.	BOBRICK	33" MIN. - 36" MAX. A.F.F. TO TOP GRIPPING SURFACE	ACCESSIBLE TOILET COMPARTMENT
(I)	TOILET PARTITION	SOLID PLASTIC HDPE	SERIES 400	MIN. 17" - MAX 19" TO TOP OF THE SEAT	BRADLEY	SUBMIT COLOR PALETTE FOR ARCHITECT APPROVAL	ALL BATHROOMS

MK'D	EQUIPMENT	MODEL & DESCRIPTION
(P-1)	HANDICAPPED TOILETS	CADET 18" H EL 3.5 ELONGATED FLUSH VALVE TOILET. COLOR: WHITE OLSONITE #95 SEAT, FLUSH VALVE: SLOAN ROYAL #115-3
(P-4)	LAVATORIES	AQUALYN COUNTERTOP LAVATORY MODEL:0475.020, COLOR: WHITE. REQUIRED FAUCET:GOOSENECK7831.000 BY HERITAGE, FINISH: POLISHED CHROME AMARILIS SERIES HANDLES CROSS TYPE #352V.



NEW BENCH DETAIL
SCALE: 3/4"=1'-0"



NO.	DESCRIPTION	REVISIONS	
		DATE	BY

TRIBUNAL GENERAL DE JUSTICIA
OFICINA DE ADMINISTRACION DE LOS TRIBUNALES
DIRECTORIA DE ADMINISTRACION
OFICINA DE ADMINISTRACION Y CONSERVACION DE LOCALES

APPROVED BY: _____ APPROVED SIGN: _____ APPROVED DATE: _____

PROJECT NAME: NUEVA OFICINA
PROJECT LOCATION: TRIBUNAL SUPREMO
CLIENT: TRIBUNAL SUPREMO
DESIGNER: NUEVO BANO

GERENTE DE PROYECTO: _____
PROYECTO DATE: 04-ENERO-2026
PRINTING DATE: 04-ENERO-2026
DRAWING SCALE: 1/8"=1'-0"

CHECKED BY: INC. DANIEL PADILLA
DRAWING BY: P. MORALES
FILE NAME: 1601-A-SECOND.dwg

SHEET NO. **A-06**
OF: _____