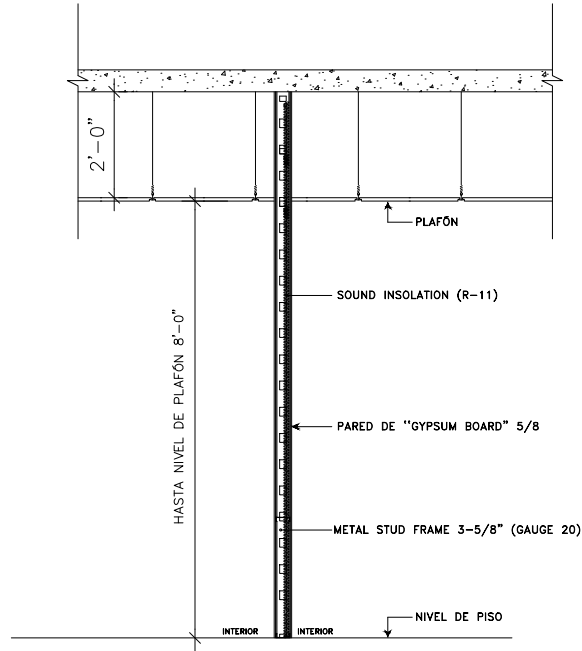


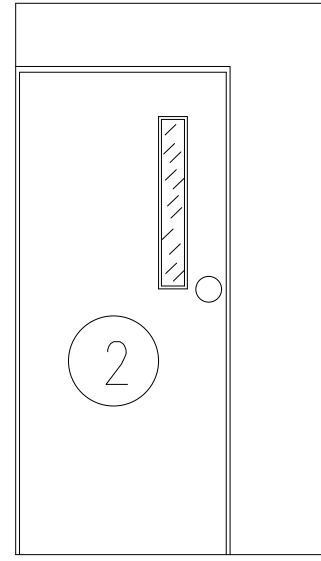
**ONE WAY MIRROR**

ESCALA: 1/2" = 1'-0"



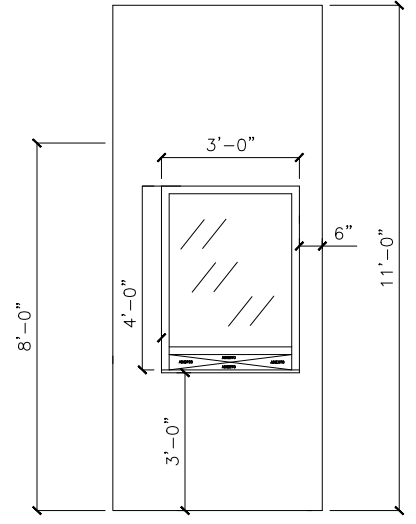
**DETALLE DE PARED DE GYPSUM BOARD**

NO A ESCALA



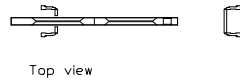
**VENTANILLA 3**

ESCALA: 3/4" = 1'-0"

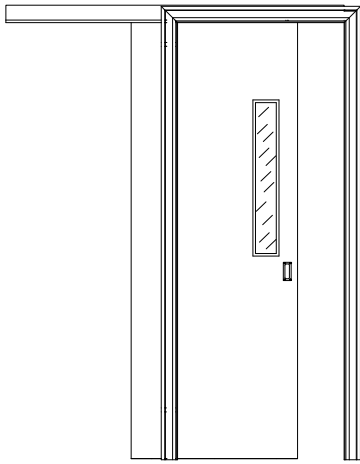


**VENTANILLA #1**

ESCALA: 1/2" = 1'-0"



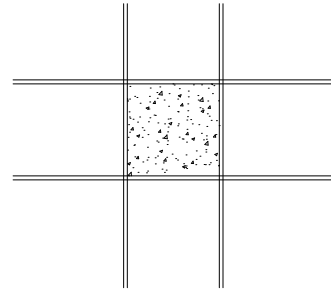
Top view



Front view

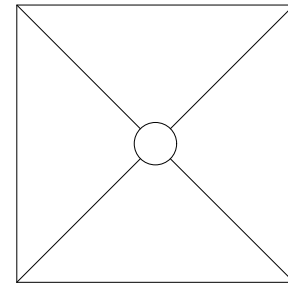
**DETALLE DE POCKET DOOR**

NO A ESCALA



**ACOUSTICO NUEVO 2' X 2'**

ESCALA: 1/2" = 1'-0"



**LUZ NUEVA 2' X 2'**

ESCALA: 1/2" = 1'-0"

REVISIONS	
NO.	DESCRIPTION

**TRIBUNAL GENERAL DE JUSTICIA**  
**OFICINA DE ADMINISTRACION DE LOS TRIBUNALES**  
**DIRECTORIA DE ADMINISTRACION**  
**DIVISION DE LOCALES Y SERVICIOS ESPECIALES**

APPROVED BY: \_\_\_\_\_  
APPROVED DATE: \_\_\_\_\_

PROJECT NAME: **SALA ESPECIALIZADA EN VIOLENCIA DE GÉNERO**  
PROJECT LOCATION: **PRIMER PISO CENTRO JUDICIAL DE GUAYAMA**  
DRAWING DESCRIPTIONS: **DETALLES**

PROJECT DATE: -  
DRAWING DATE: -  
PRINTING DATE: **9-MAYO-2023**  
DRAWING SCALE: **1/4"=1'-0"**

CHECKED BY: **ING DANIEL PADILLA**  
DRAWING BY: **PETER RUBI**  
FILE NAME: \_\_\_\_\_