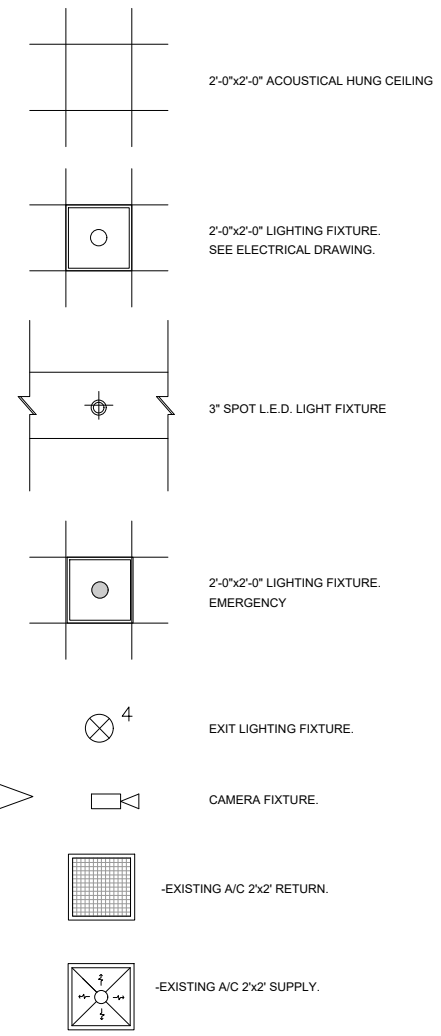


LEGEND:



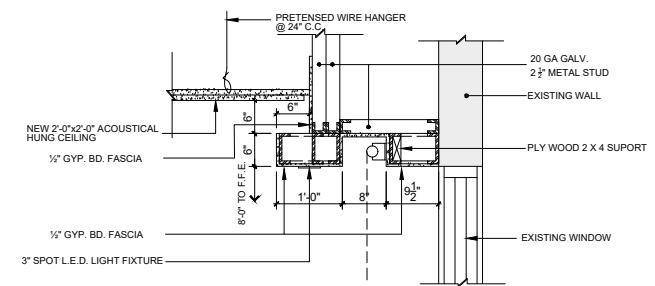
O A T

REVISIONS	
NO.	DESCRIPTION

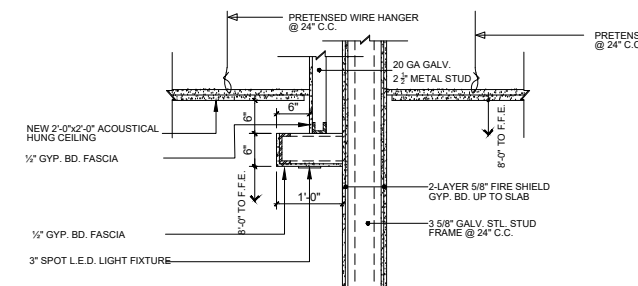
TRIBUNAL GENERAL DE JUSTICIA
OFICINA DE ADMINISTRACION DE LOS TRIBUNALES
DIRECTORIA DE ADMINISTRACION Y CONSERVACION DE LOCALES

APPROVED BY: _____ APPROVED DATE: _____

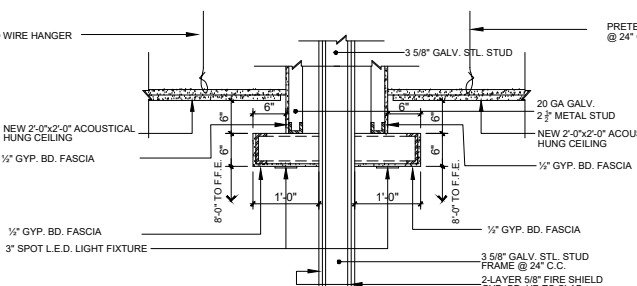
PLANTA DE PLAFON REFLEJADO
 scale: 3/8" = 1'-0"



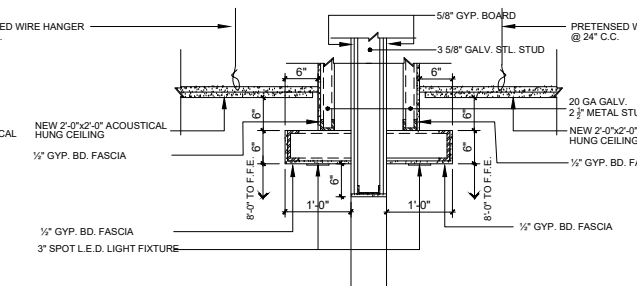
DETAIL 1
 SCALE: 3/4" = 1'-0"



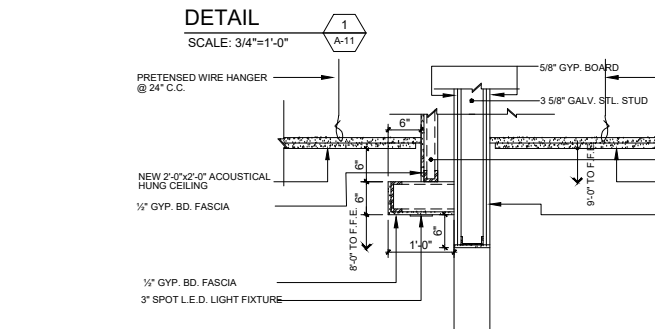
DETAIL 2
 SCALE: 3/4" = 1'-0"



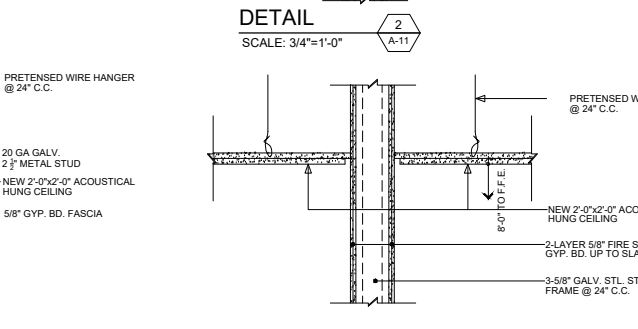
DETAIL 3
 SCALE: 3/4" = 1'-0"



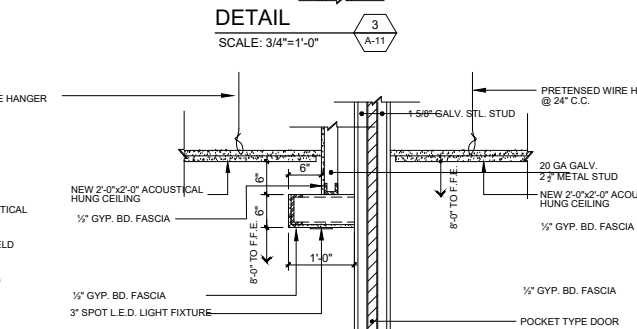
DETAIL 4
 SCALE: 3/4" = 1'-0"



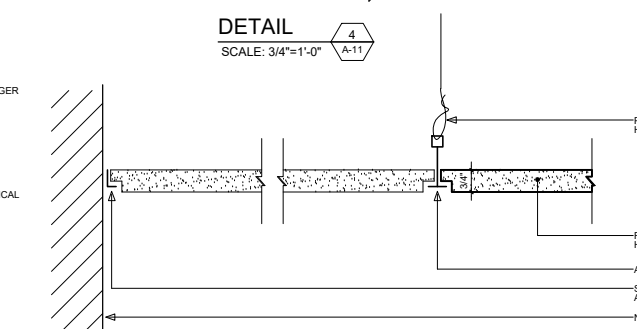
DETAIL 5
 SCALE: 3/4" = 1'-0"



DETAIL 6
 SCALE: 3/4" = 1'-0"



DETAIL 7
 SCALE: 3/4" = 1'-0"



TYPICAL ACOUSTICAL HUNG CEILING DETAIL
 N.T.S.

PROJECT NAME:	REMODELACION DE OFICINAS Y SALON DE REUNIONES EJECUTIVAS
PROJECT LOCATION:	PISO # 22 EDIFICIO WORLD PLAZA
DRAWING DESCRIPTIONS:	PLANTA PROPIETA DE PLAFON REFLEJADO
ESPEC. EN ADMINST.	CHEQUEO Y REVISADO
GERENTE DE PROYECTO:	OSCAR HERNANDEZ
PROJECT DATE:	FEBRERO-2024
PRINTING DATE:	
DRAWING BY:	P. MORALES
FILE NAME:	

SHEET NO. **A-03**
 OF: 07