

REVISIONS	
NO.	DESCRIPTION

**TRIBUNAL GENERAL DE JUSTICIA**  
**OFICINA DE ADMINISTRACION DE LOS TRIBUNALES**  
**DIRECTORIA DE ADMINISTRACION**  
**OFICINA DE ADMINISTRACION Y CONSERVACION DE LOCALES**

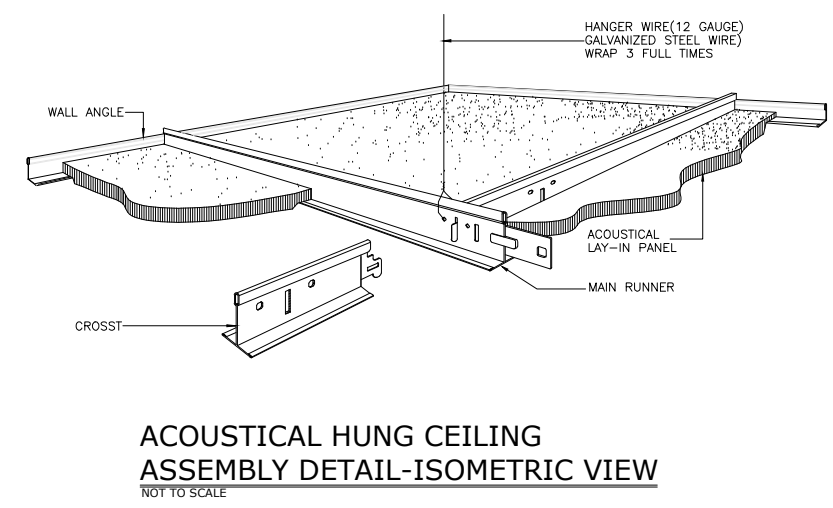
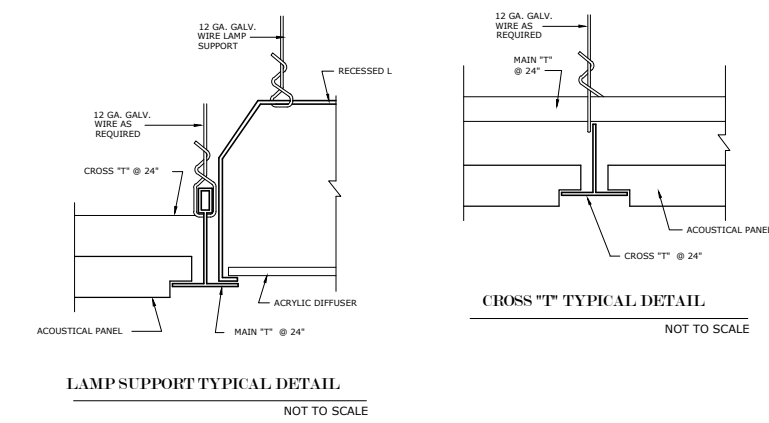
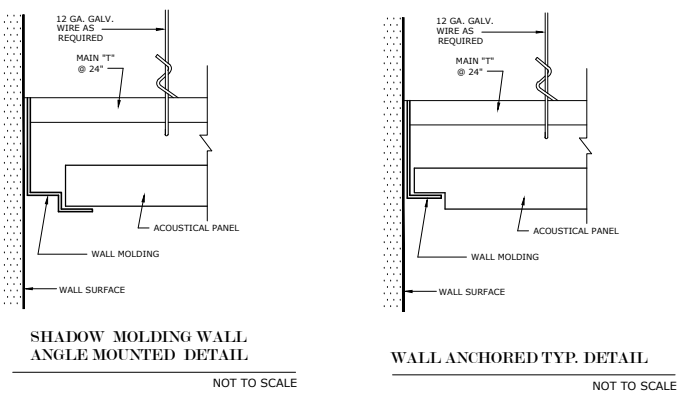
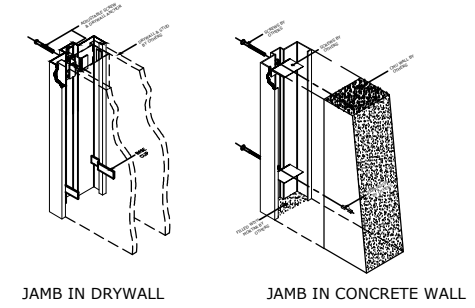
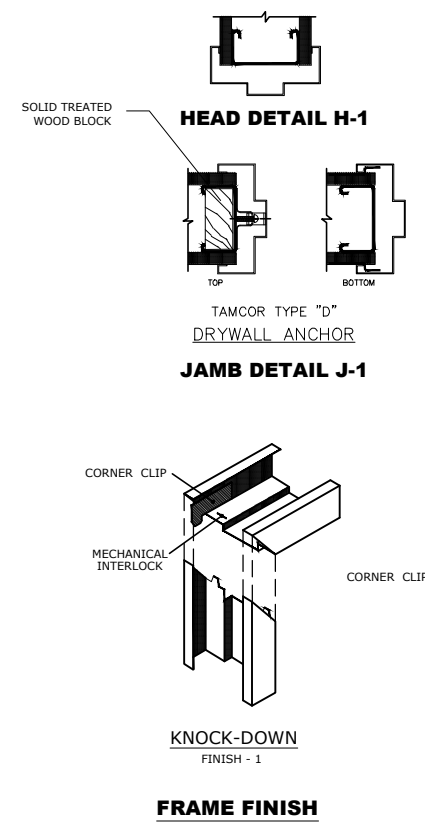
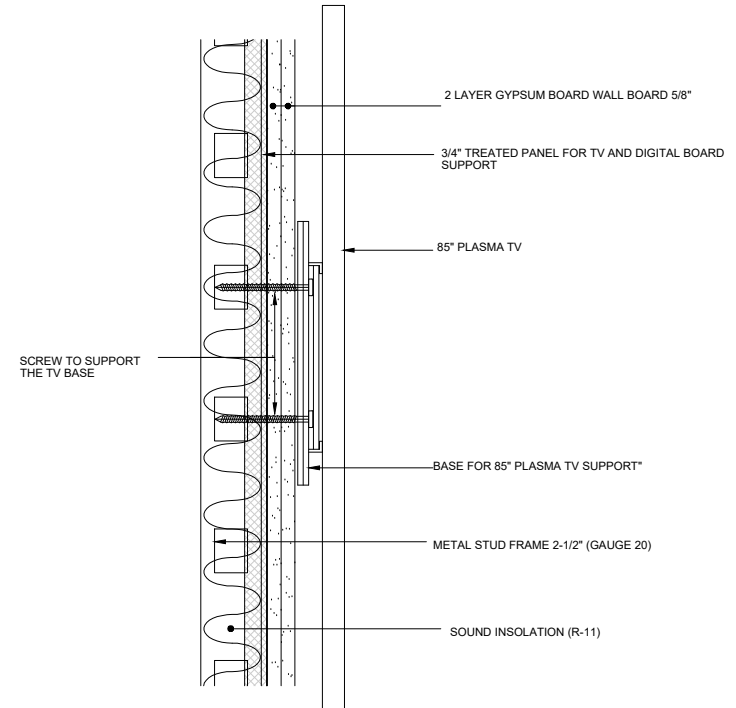
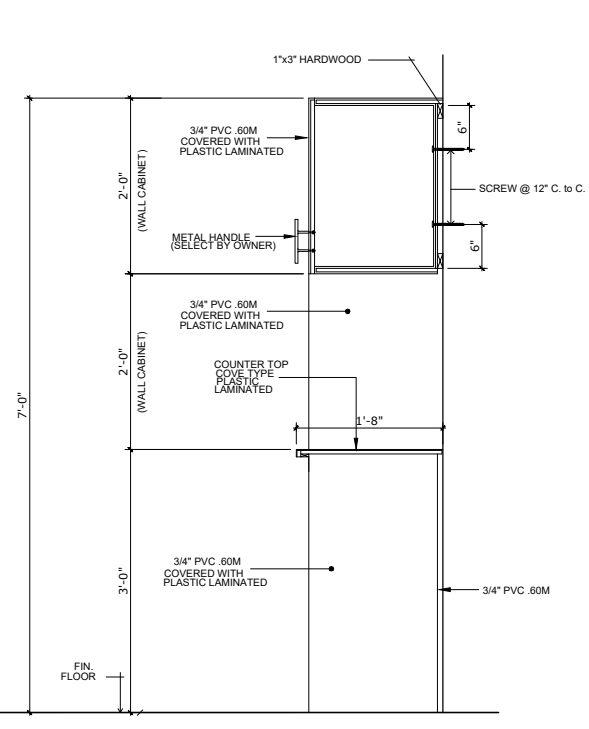
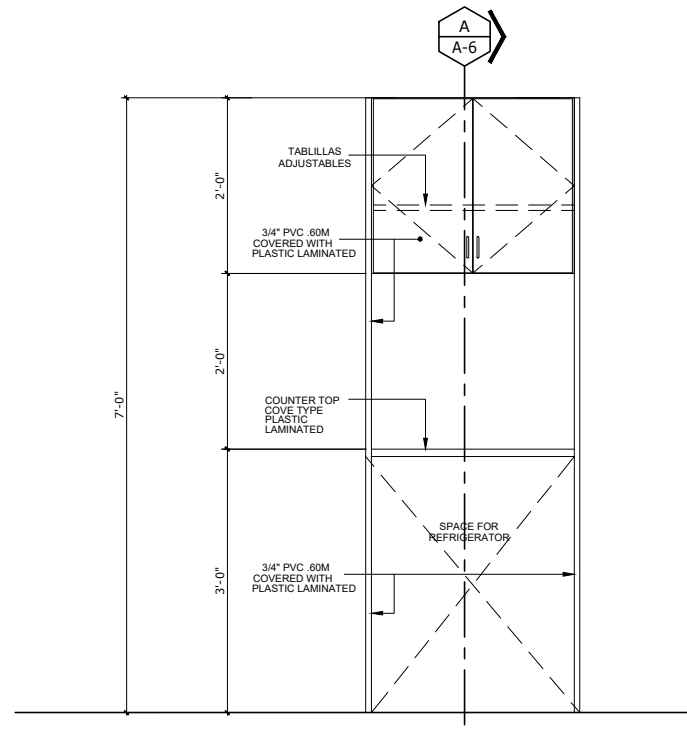
APPROVED BY: \_\_\_\_\_ APPROVED DATE: \_\_\_\_\_  
 APPROVED SIGN: \_\_\_\_\_

**REMODELACION DE OFICINAS Y SALON DE REUNIONES EJECUTIVAS**  
**PISO # 22 EDIFICIO WORLD PLAZA**  
**DETALLES TÍPICOS DE CONSTRUCCION**

GERENTE DE PROYECTO: \_\_\_\_\_  
 PROYECTO DATE: \_\_\_\_\_  
 PRINTING DATE: FEBRERO-2023  
 DRAWING SCALE: AS SHOWN

ESPEC. EN ADMS.: \_\_\_\_\_  
 OSCAR HERNANDEZ  
 DANIEL PADILLA  
 P. MORALES  
 FILE NAME: \_\_\_\_\_

SHEET NO. **A-6**  
 OF 10



**SUSPENDED CEILING TYPICAL DETAILS**  
 NOT TO SCALE

**General Notes:**  
 ALL CEILING SYSTEM SHALL BE NEW AS SPECIFICATION IN THIS SHEET.  
 AIR CONDITIONERS SHALL BE REINSTALLED BEFORE CEILING INSTALLATION.  
 ALL WALL THAT BE ERRECTED UNTILL CEILING SLAB SHALL BE INSTALLED FIRST.  
 ALL WALLS SHALL BE PAINTED BEFORE INSTALL THE SUSPENDED CEILING.

**AIR CONDITIONER NOTE:**  
 THE AIR SUPPLY IS SHOWN IN THIS PLAN FOR CEILING INFORMATION ONLY,  
 MECHANICAL WORK IS NOT INCLUDE IN THIS PROJECT.

- CONSTRUCTION NOTE:**
- THE FISSURED SHALL BE:
    - LAY-IN TYPE.
    - 5/8"x24"x24".
    - WHITE COLOR.
    - SHADOWLINE TAPERED EDGE.
  - ALL CEILING LAMP SHALL BE:
    - ELECTRONIC BALLASTS DESIGNED FOR T8 LAMPS.
    - 3" DEEP CELL PARABOLIC SCREEN.
    - COLOR "SILVER REFLECTOR.
    - 24"x24" FULL SIZE.
    - LAMP COLOR 741.
    - LAMP TYPE: FB32-6"U
    - 9" CELL MODEL.
  - THE HUNG CEILING FRAMING SHALL BE:
    - WHITE COLOR.
    - 7/8" SIZE.
    - INSTALL 8'-3" HEIGHT FROM FINISH FLOOR.