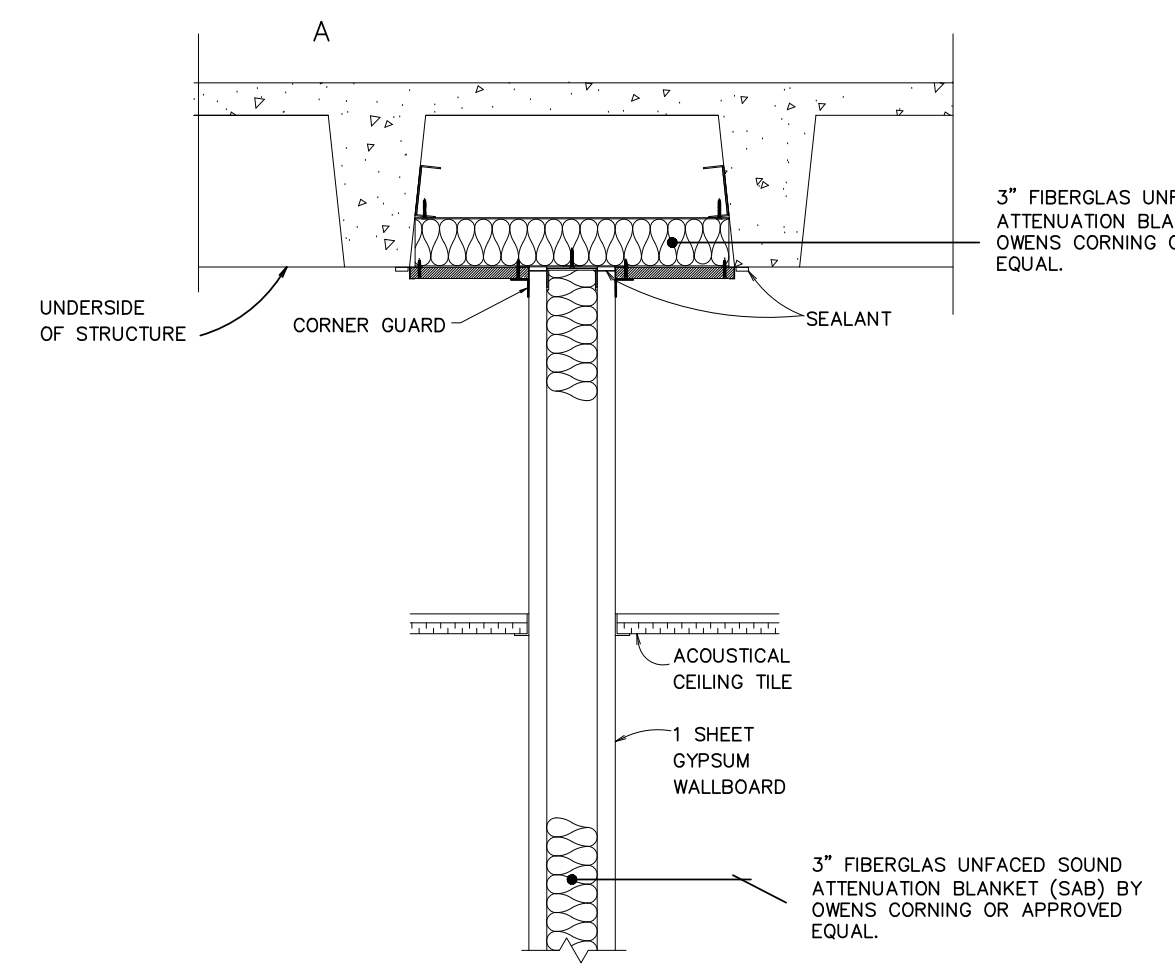
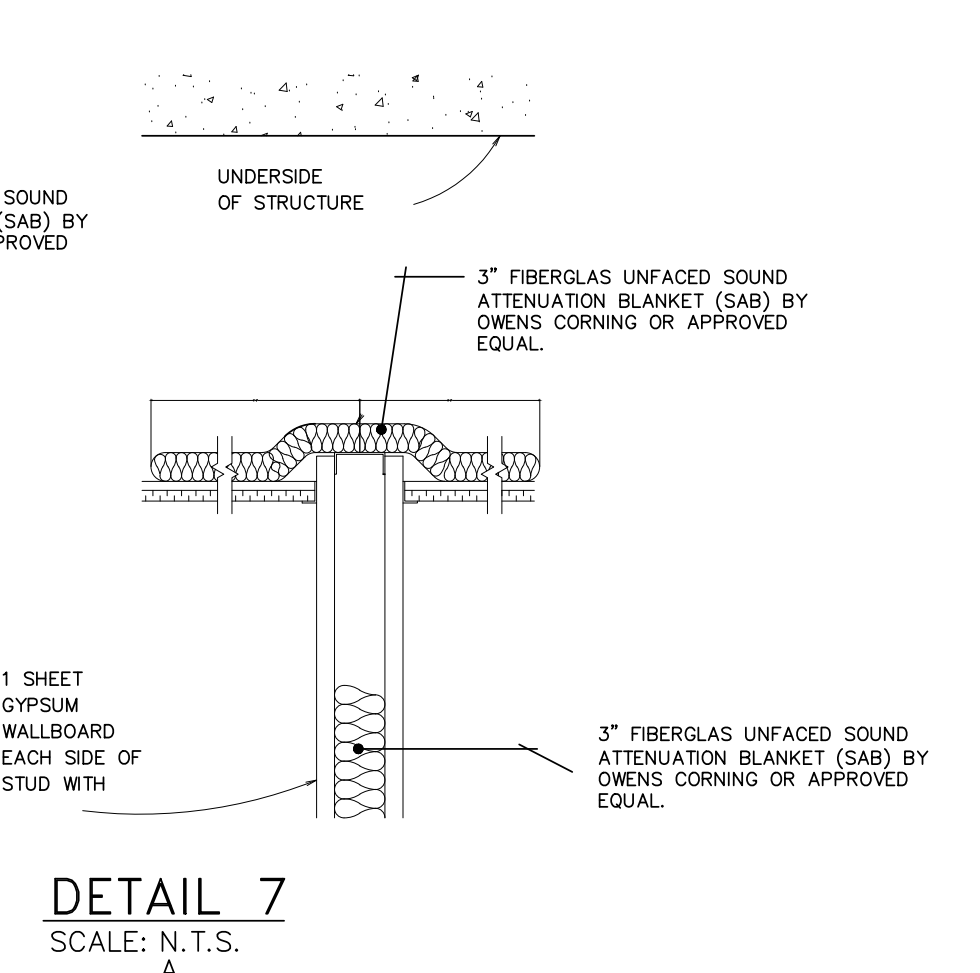


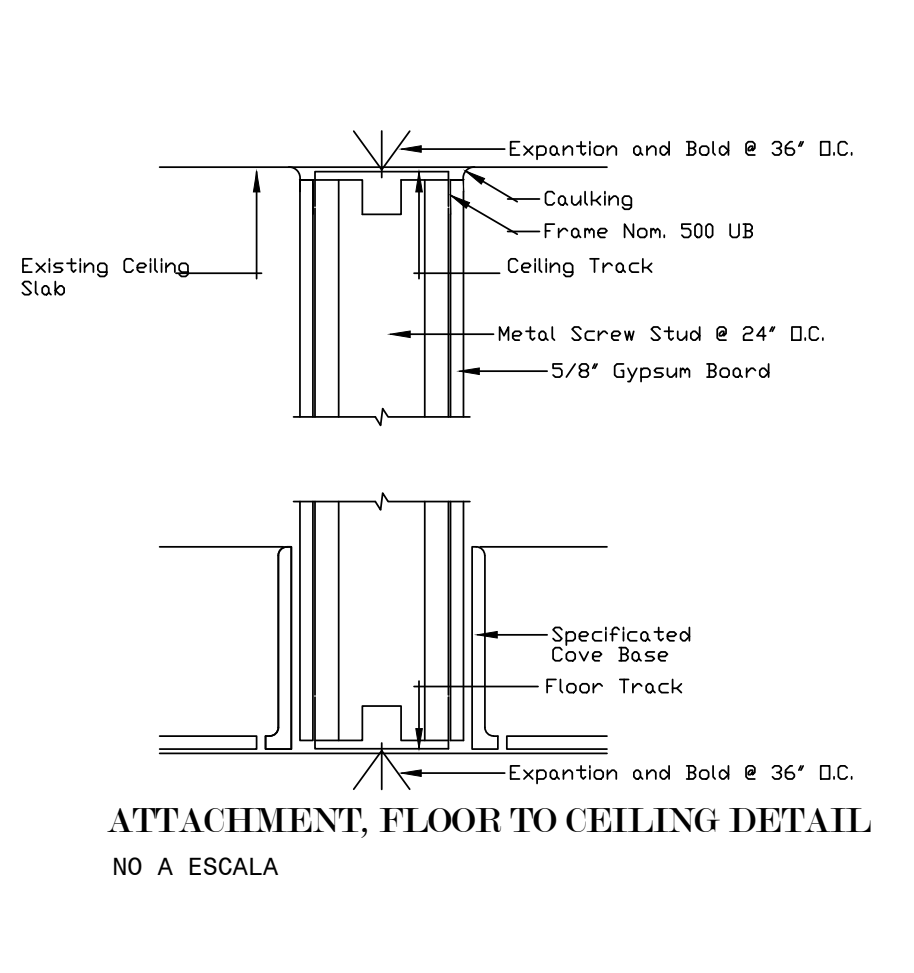
NO.	DESCRIPTION	REVISIONS	
		DATE	BY



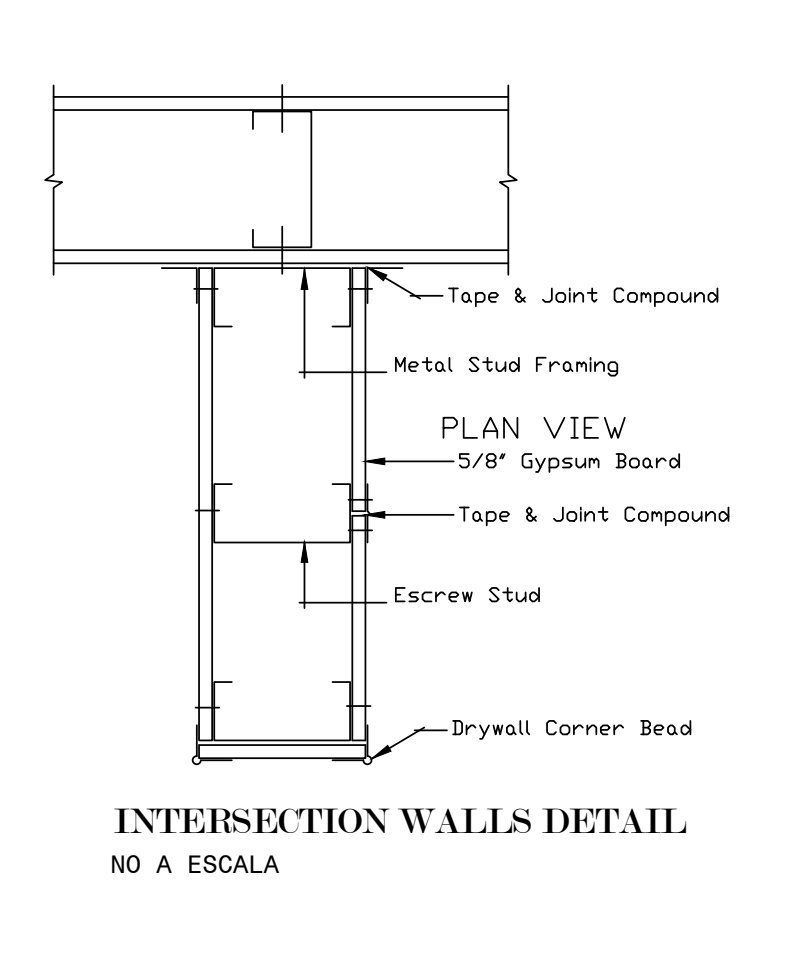
DETAIL 6
SCALE: N.T.S.
NOTE: THIS DETAIL#6 APPLIES TO CORRIDOR GYPSUM WALLS, ACCORDING TO REFLECTED CEILING PLANS



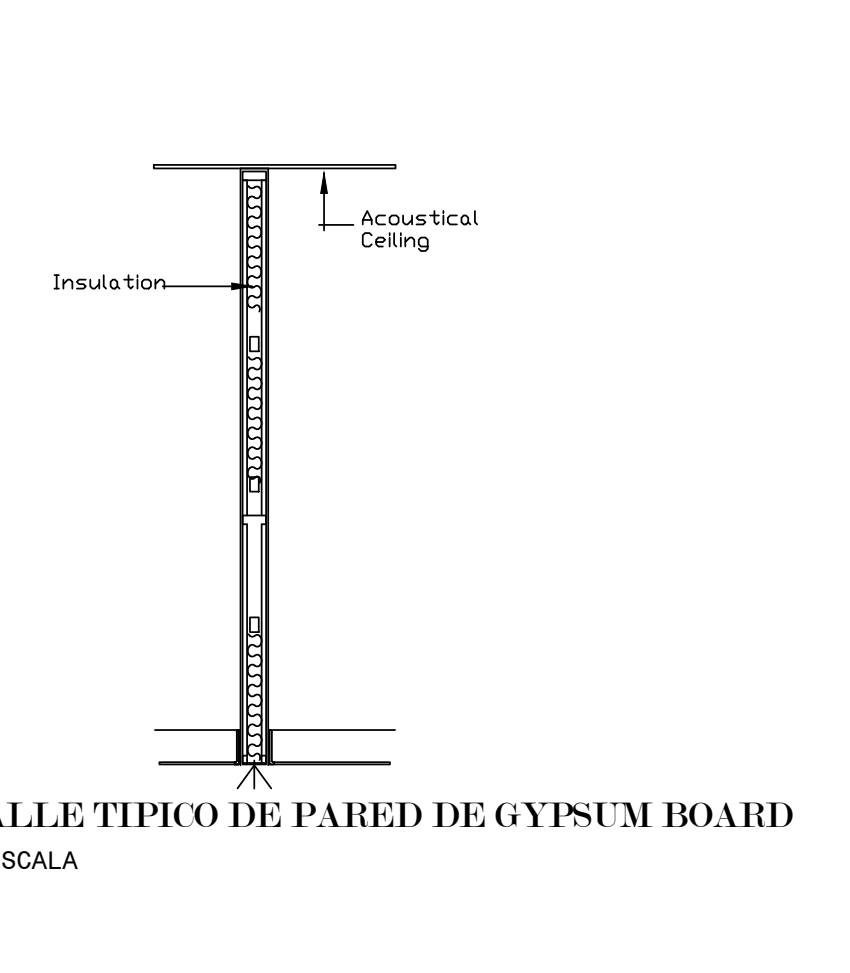
DETAIL 7
SCALE: N.T.S.
NOTE: APPLY THIS DETAIL#7 TO GYPSUM WALLS BETWEEN OFFICES, ACCORDING TO REFLECTED CEILING PLANS



ATTACHMENT, FLOOR TO CEILING DETAIL
NO A ESCALA

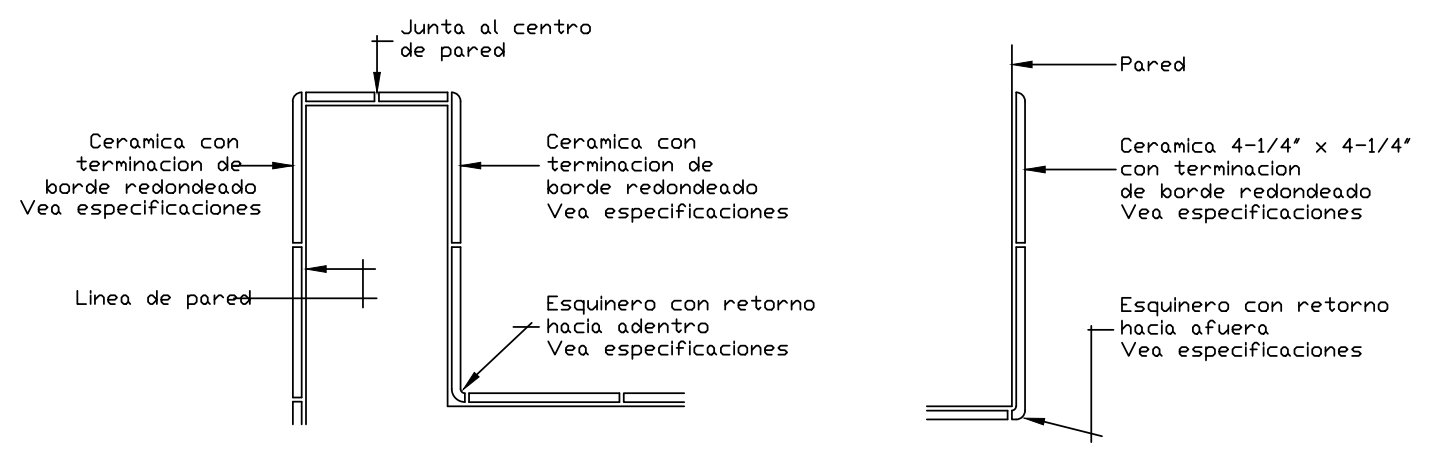


INTERSECTION WALLS DETAIL
NO A ESCALA

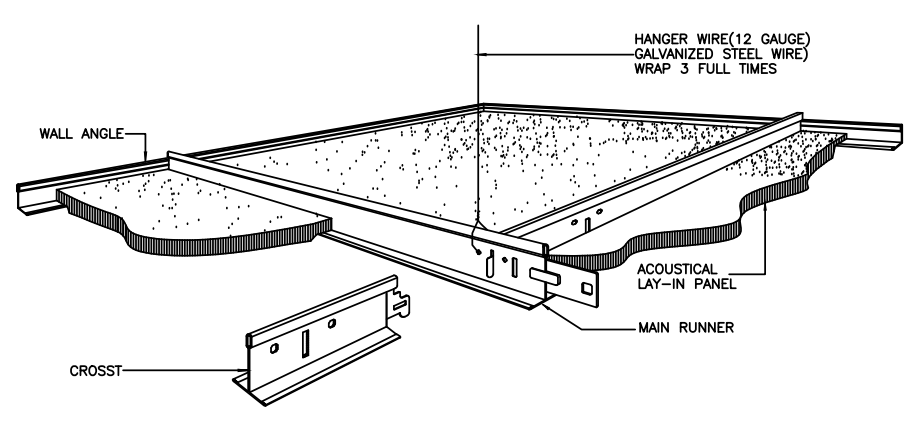


DETALLE TIPICO DE PARED DE GYPSUM BOARD
NO A ESCALA

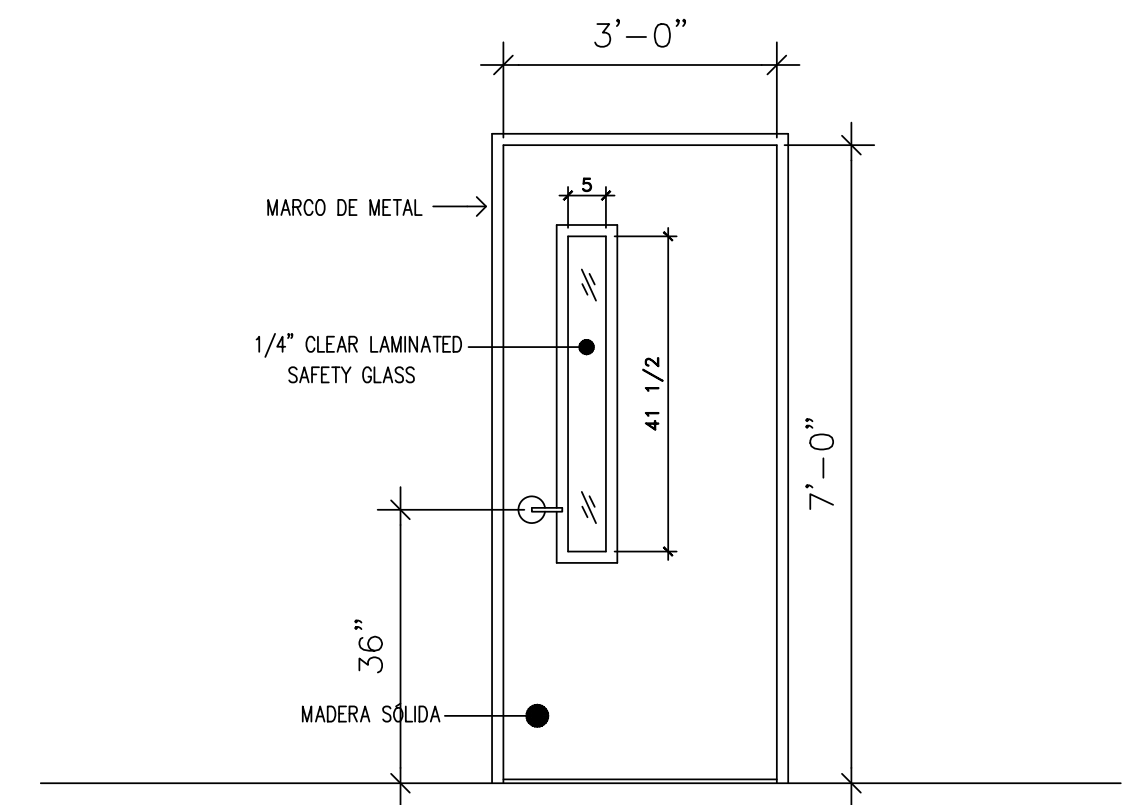
IMPORTANT NOTE:
TREATED SOLID WOOD BLOCKING WILL BE INSTALLED INSIDE WALL CAVITIES, SECURELY ANCHORED TO METAL STUD FRAME, FOR SUPPORT AND ANCHORING OF SANITARY FIXTURES, BATHROOM ACCESSORIES, BREAKROOM CABINET, DOOR & WINDOWS FRAMES, WATER COOLERS, TIME CLOCKS AND ANY OTHER EQUIPMENT TO BE INSTALLED AS PART OF THIS CONTRACT, ON GYPSUM BOARD WALL



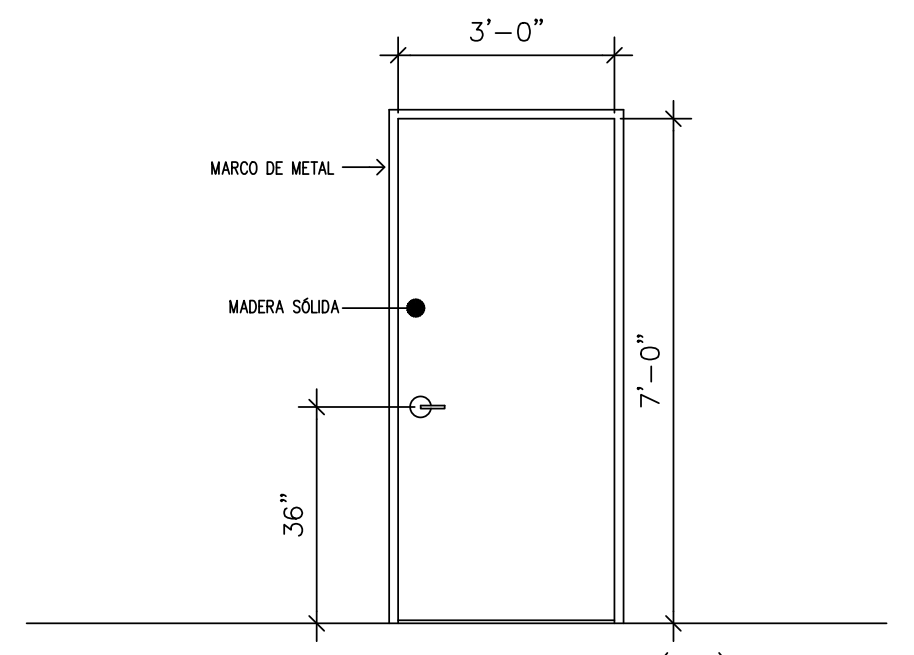
MOLDURAS TIPICAS EN CERAMICA PARA PAREDES
NO A ESCALA



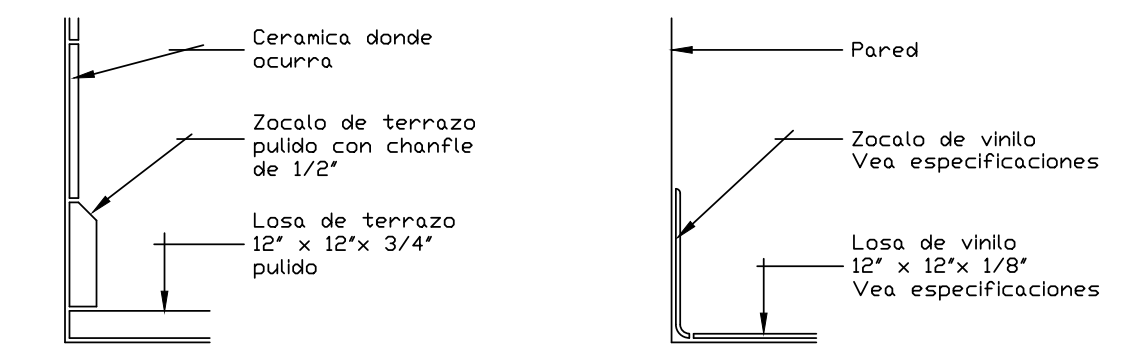
DETALLE DEL TECHO ACOUSTICO
DETALLE DE ASEMBLAJE-VISTA ISOMETRICO
NO A ESCALA



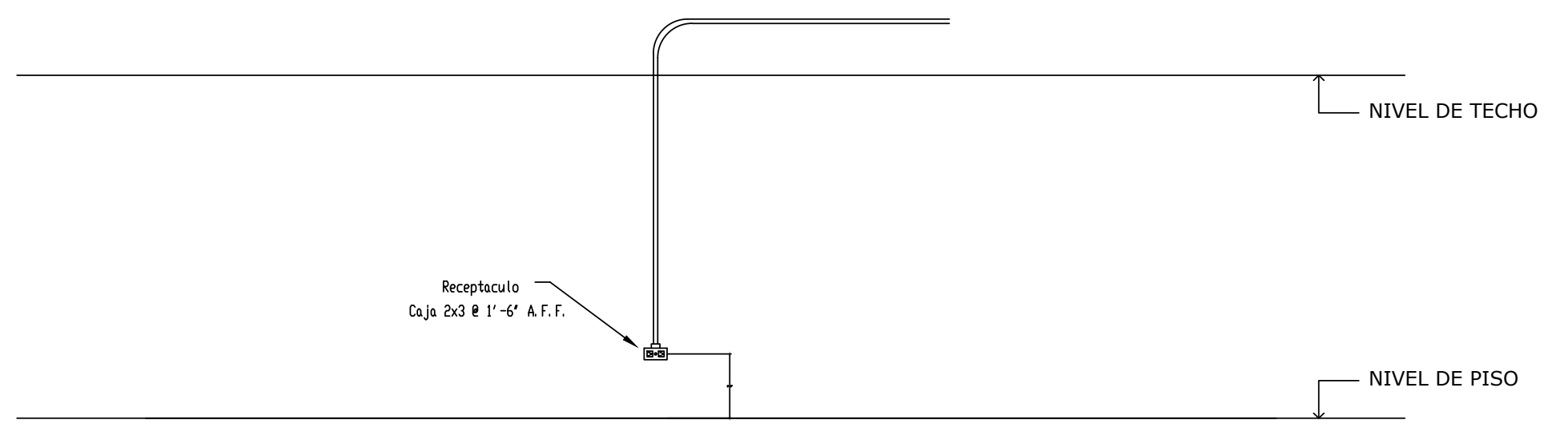
PUERTA A (1)
NO A ESCALA



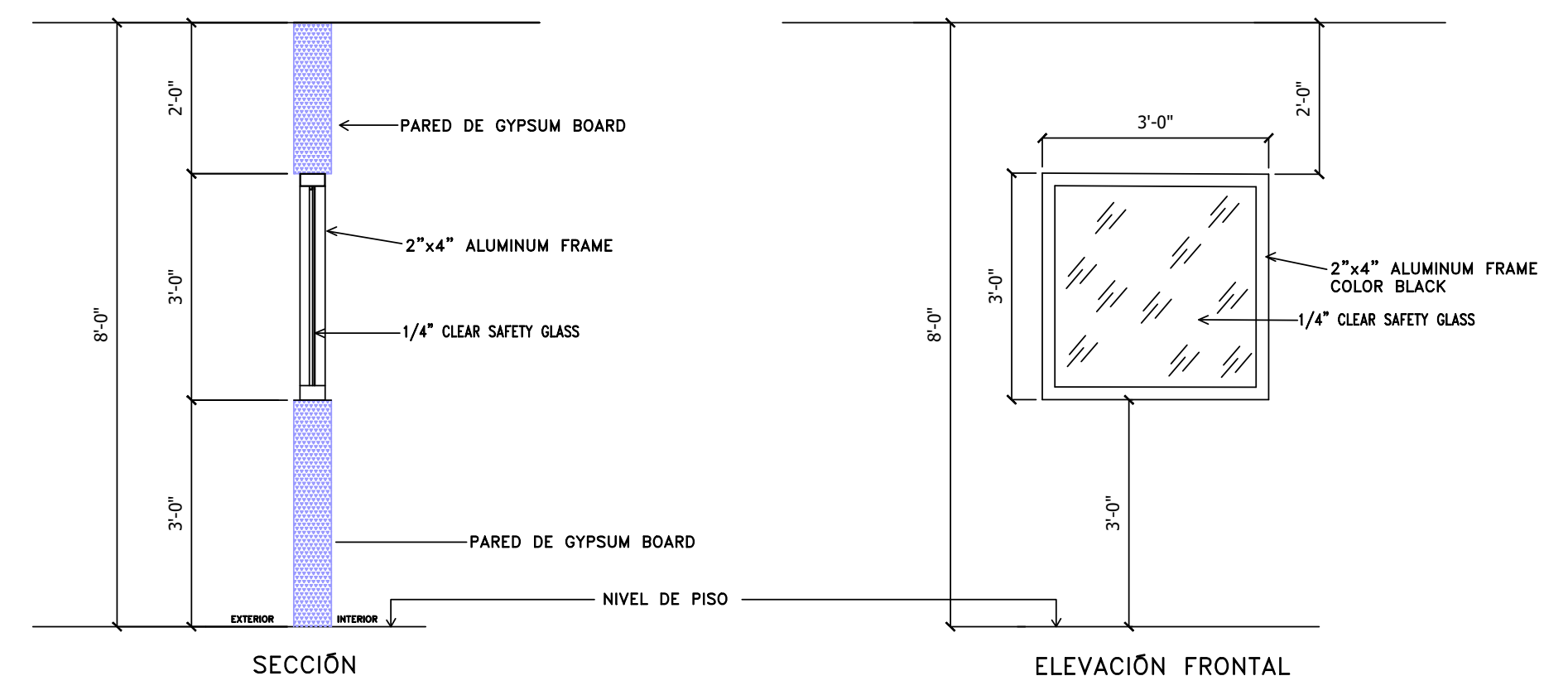
PUERTA B (3)
NO A ESCALA



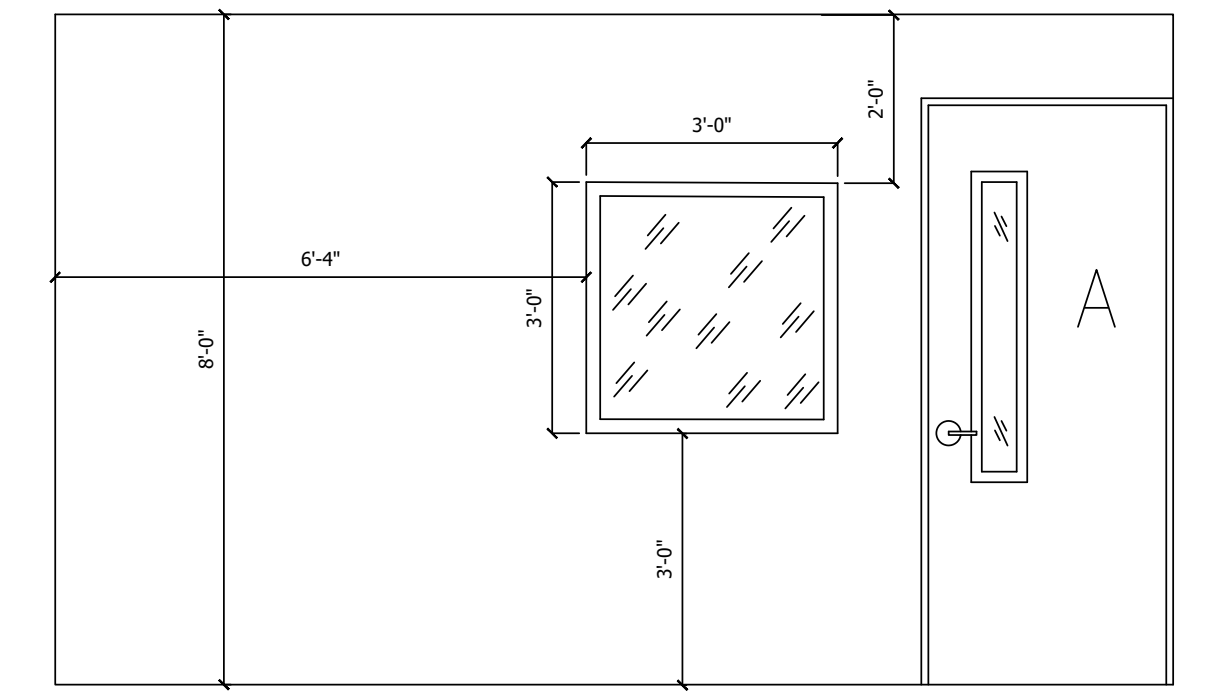
DETALLES TIPICOS DE ZOCALOS
NO A ESCALA



Elevación de Receptaculo
NO A ESCALA



DETALLE DE CRISTAL NUEVO
ESCALA: 1/2" = 1'-0"



ELEVACION A-A
NO A ESCALA

TRIBUNAL GENERAL DE JUSTICIA
OFICINA DE ADMINISTRACION DE LOS TRIBUNALES
DIRECTORIA DE ADMINISTRACION Y CONSERVACION DE LOCALES

APPROVED BY: _____ APPROVED DATE: _____

PROJECT NAME:	OAT - PISO GROUND - PROPIEDAD
PROJECT LOCATION:	OFICINA DE ADMINISTRACIÓN DE TRIBUNALES
DRAWING DESCRIPTIONS:	DETALLES
GERENTE DE PROYECTO:	OSCAR HERNANDEZ
PROYECT DATE:	JULIO 2024
CHECKED BY:	ING. DANIEL PADILLA
PRINTING DATE:	JULIO 2024
DRAWING BY:	PETER RIBI
FILE NAME:	VARIOS
SHEET NO.:	8
OF.:	9