

NO.	DESCRIPTION	BY	
		DATE	

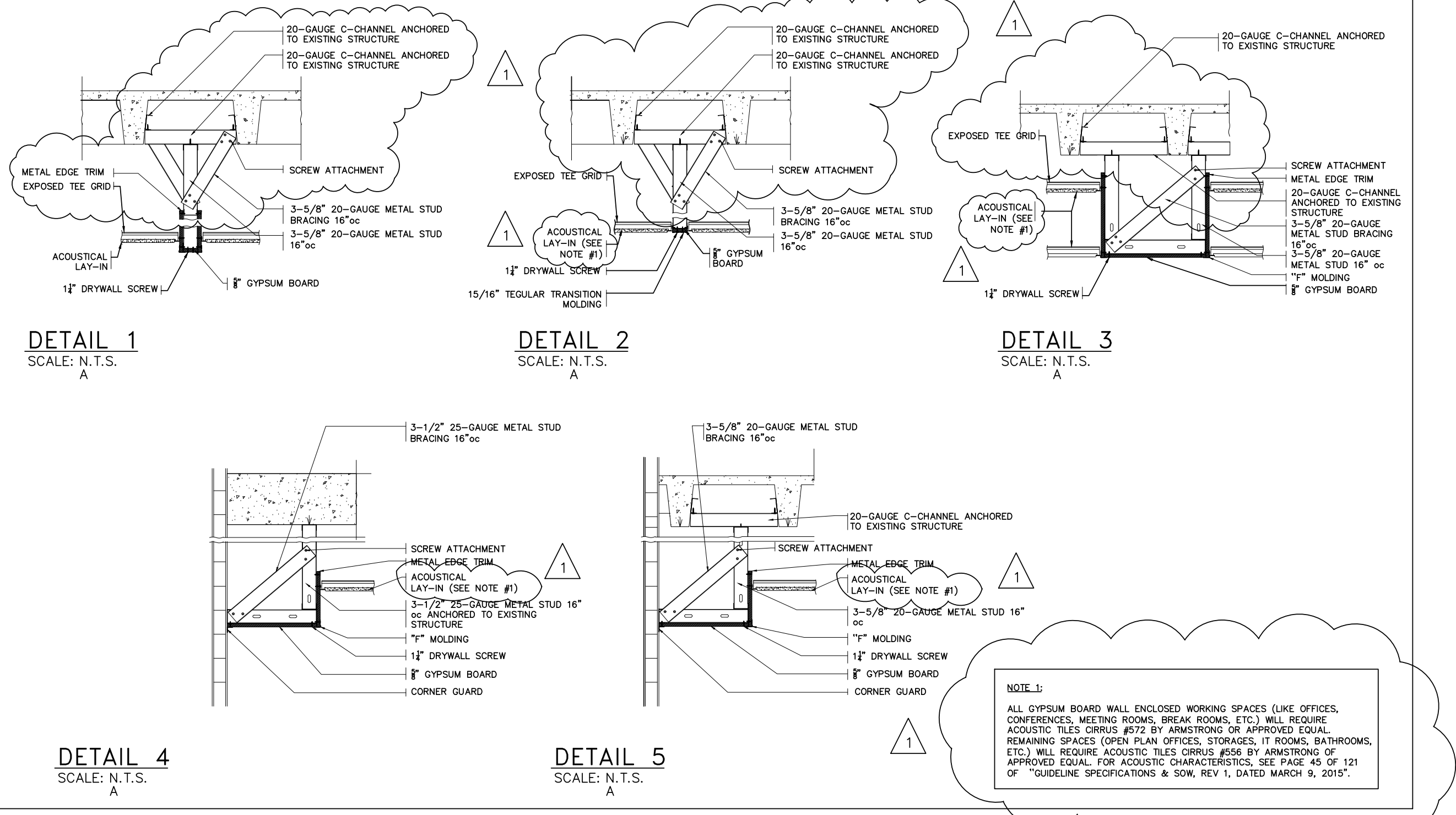
TRIBUNAL GENERAL DE JUSTICIA
OFICINA DE ADMINISTRACION DE LOS TRIBUNALES
DIRECTORIA DE ADMINISTRACION
OFICINA DE ADMINISTRACION Y CONSERVACION DE LOCALES

APPROVED BY: _____
 APPROVED SIGN: _____

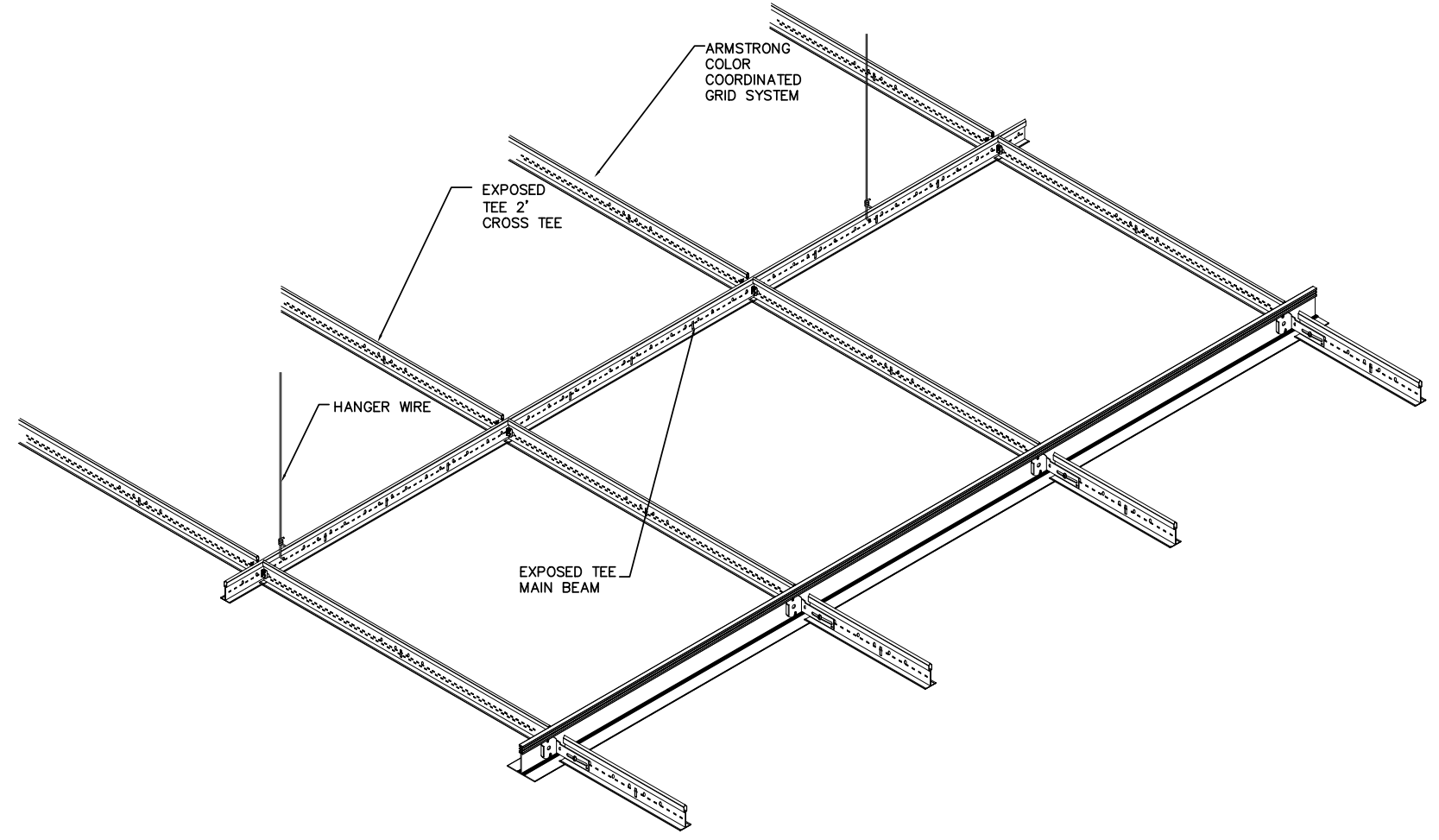
PROJECT NAME: **OAT - PISO GROUND - PROPIEDAD**
 PROJECT LOCATION: **OFICINA DE ADMINISTRACION DE TRIBUNALES**
 DRAWING DESCRIPTION: **DETALLES ACUSTICOS**
 SHEET NO.: **9**

GERENTE DE PROYECTO: _____
 PROYECTO DATE: **JULIO 2024**
 PRINTING DATE: **JULIO 2024**
 DRAWING BY: **PETER RUBI**
 FILE NAME: _____
 DRAWING SCALE: **3/8" = 1'-0"**

GYPHUM BOARD FASCIA AND CEILING TRANSITION DETAILS



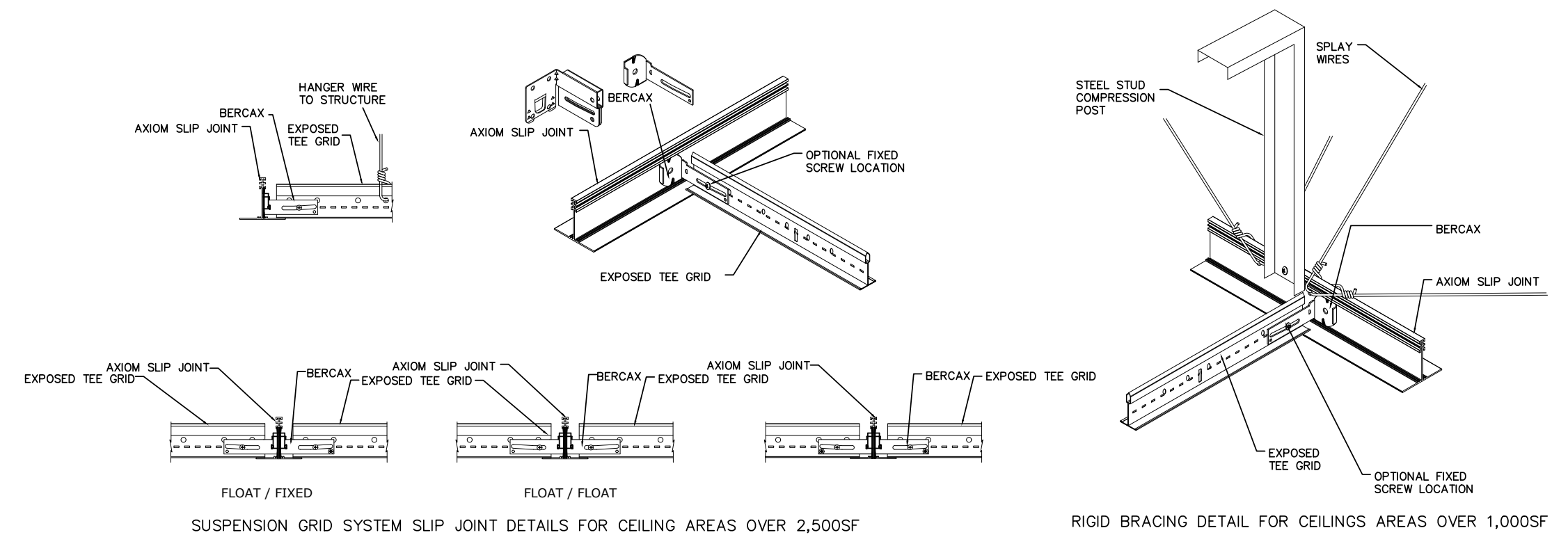
ACOUSTICAL SUSPENDED CEILING TYPICAL DETAILS



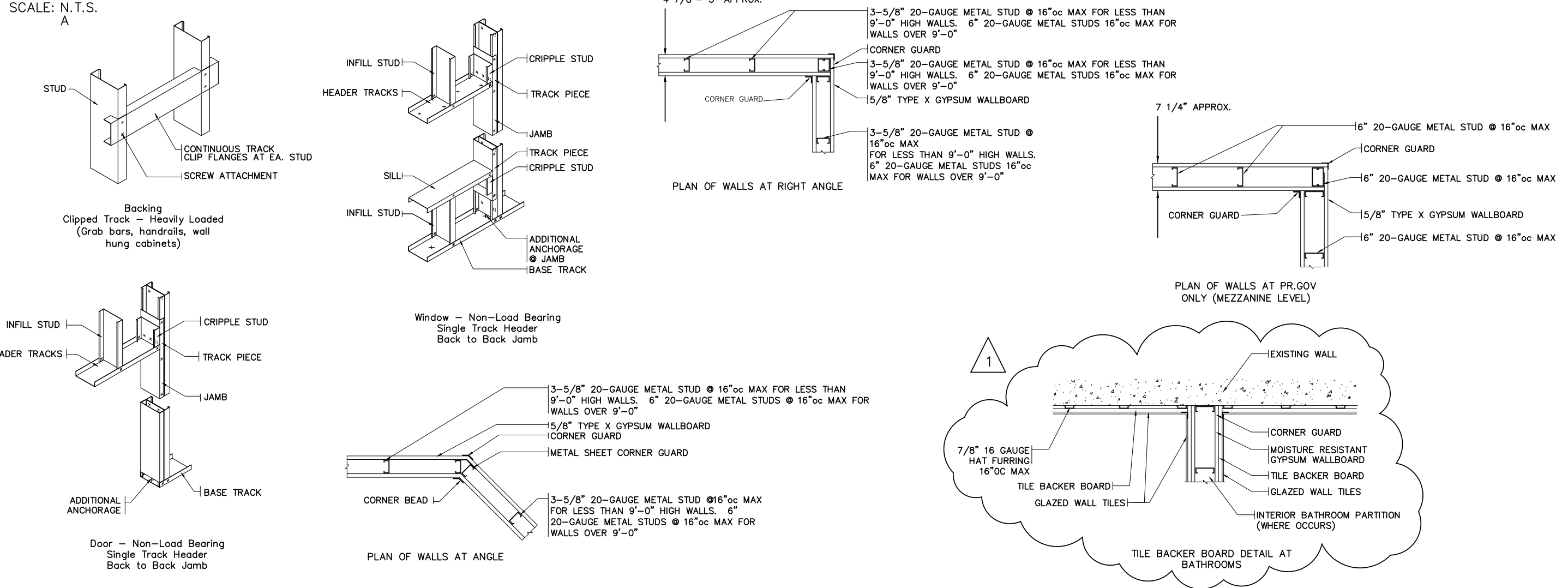
GENERAL NOTES FOR CEILING SYSTEM:
 CONSULT YOUR LOCAL BUILDING CODE FOR ADDITIONAL REQUIREMENTS OUTSIDE OF THE MANUFACTURER'S INSTALLATION INSTRUCTIONS. THIS INCLUDES BUT IS NOT LIMITED TO BRACING OF TRANSITIONS, AND ADDITIONAL SEISMIC REQUIREMENTS. FIELD VERIFY ALL CONDITIONS AND DIMENSIONS.

IBC SEISMIC INSTALLATION REQUIREMENTS:
 IBC CATEGORY D, E, F, INSTALLED TO STM C638 AND ASTM E580
 MINIMUM 2" WALL MOLDING
 SUSPENSION SYSTEM MUST BE ATTACHED TO TWO ADJACENT WALLS - OPPOSITE WALLS MUST HAVE A 3/4" CLEARANCE.
 ENDS OF MAIN BEAMS AND CROSS TEES MUST BE TIED TOGETHER TO PREVENT THEIR SPREADING.
 HEAVY-DUTY SUSPENSION SYSTEM
 CEILING AREAS OVER 1,000 SF MUST HAVE HORIZONTAL RESTRAINT WIRE OR RIGID BRACING
 CEILING AREAS OVER 2,500 SF MUST HAVE SEISMIC SEPARATION JOINTS OR FULL HEIGHT PARTITIONS
 CEILING WITHOUT RIGID BRACING MUST HAVE 2" OVERSIZED TRIM RINGS FOR SPRINKLERS AND OTHER PENETRATIONS
 CHANGES IN CEILING PLANES MUST HAVE POSITIVE BRACING
 CABLE TRAYS AND ELECTRICAL CONDUITS MUST BE INDEPENDENTLY SUPPORTED AND BRACED
 SUSPENDED CEILINGS WILL BE SUBJECT TO SPECIAL INSPECTION PERIMETER SUPPORT WIRES WITHIN 8"

ACOUSTICAL CEILING SUSPENSION GRID SYSTEM DETAILS



GYPHUM WALL TYPICAL DEAILS



DETALLES ACÚSTICOS - SISTEMA DE SUSPENSIÓN
 NO A ESCALA