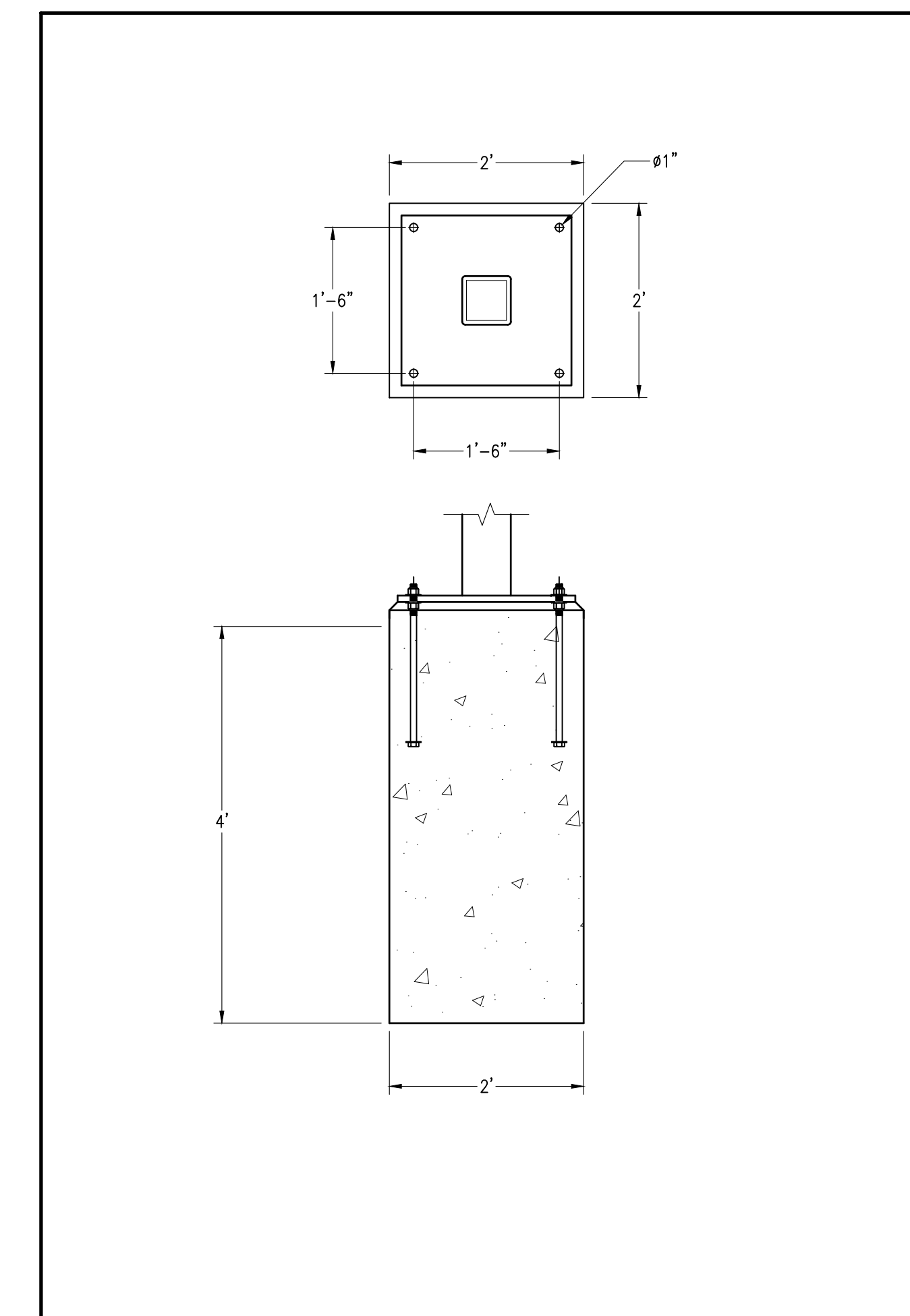
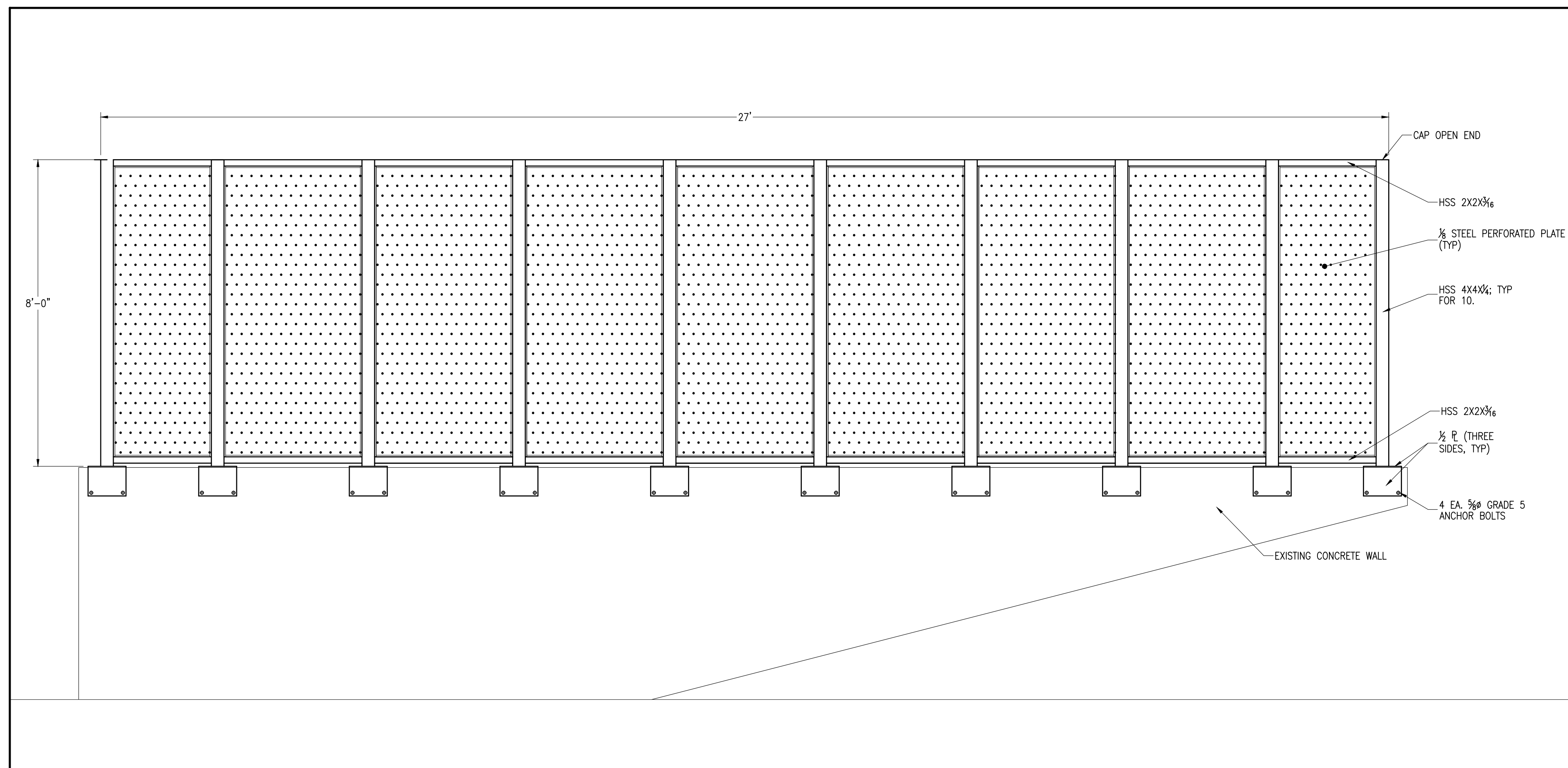


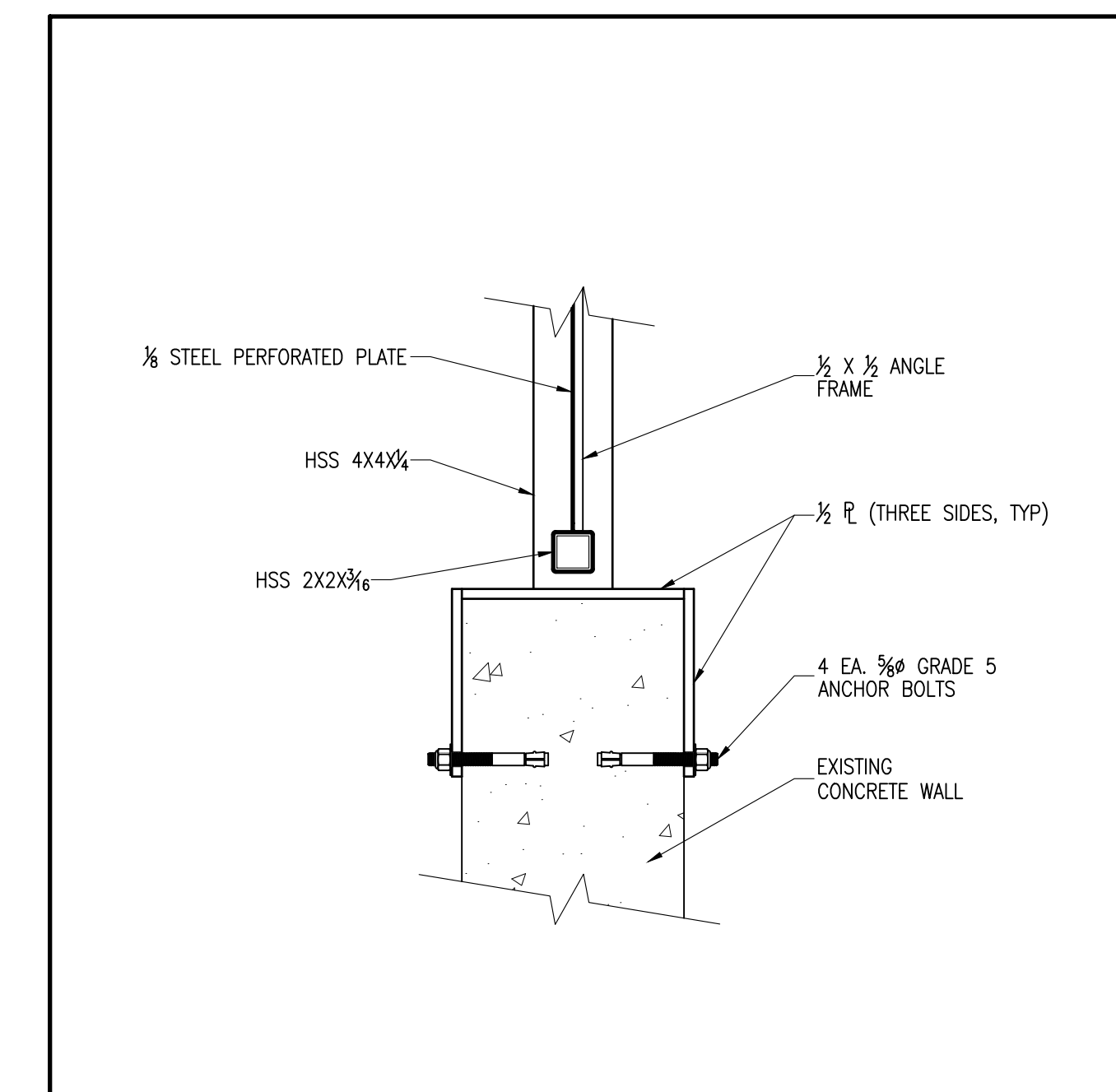
2 PARTITION FENCE ELEVATION
SI-3 SCALE: 1/2" = 1' - 0"



PARTITION FENCE PEDESTAL DETAIL
SCALE: 3/4" = 1' - 0"



3 NORTH PERIMETER FENCE ELEVATION
SI-3 SCALE: 1/2" = 1' - 0"



PERIMETER FENCE PEDESTAL DETAIL
SCALE: 1 1/2" = 1' - 0"

THIS DRAWING OR PRINT DEPICTS THE DESIGN EFFORT OF MGA CONSULTING ENGINEER, AND IS ISSUED FOR REVIEW SOLELY AS AN INSTRUMENT OF THE SERVICES BEING RENDERED. IT REMAINS THE PROPERTY OF THIS OFFICE, SHALL BE USED ONLY BY AUTHORIZED PERSONS, AND SHALL NOT BE COPIED, REPRODUCED OR EXHIBITED UNLESS PERMISSION IN WRITING IS GRANTED. IT SHALL BE RETURNED UPON REQUEST.

PROFESSIONAL SEAL:

PROJECT

WORLD PLAZA -
RELOCALIZACIÓN
COMPACTADORA
DE BASURA

SAN JUAN
Puerto Rico

REVISIONS

Rev	Date	Description
0	01 MAR 23	NEW DRAWING
1	01 JUN 23	GENERAL REVISION
2	15 FEB 24	GENERAL REVISION

File Name: .

Scale: AS SHOWN Date: FEB 2023

DRAWING TITLE

FENCE ELEVATIONS
AND DETAILS

DRAWING NO.

SI-3